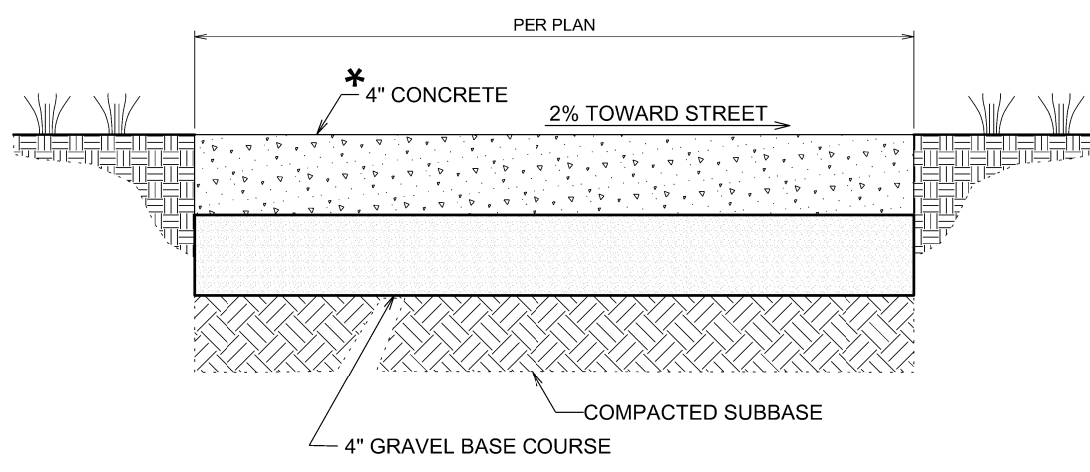
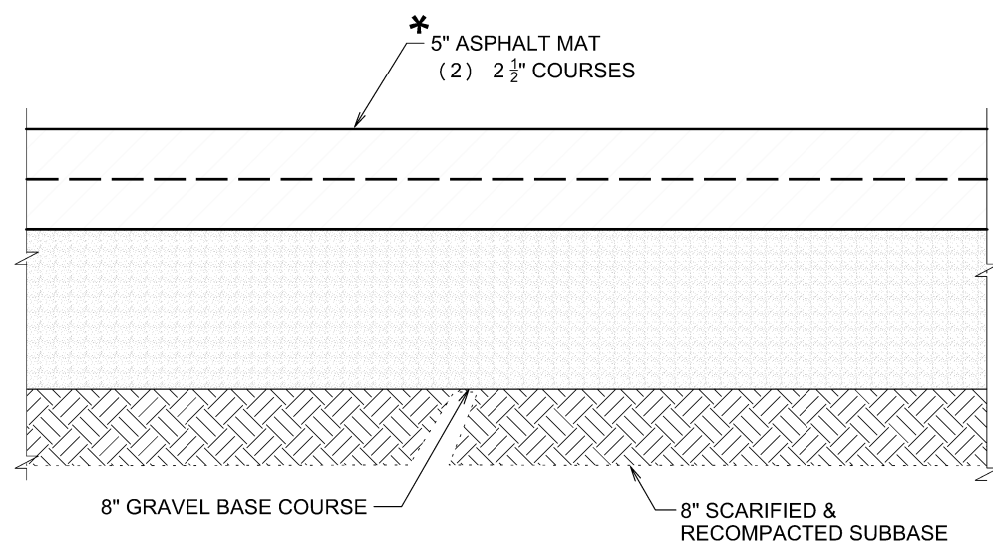


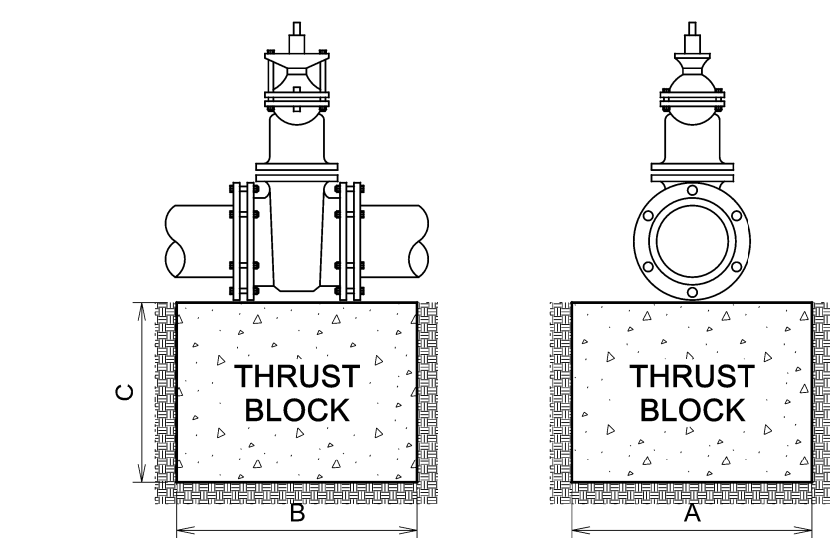
TRENCH DETAIL
NTS



SIDEWALK SECTION
NTS

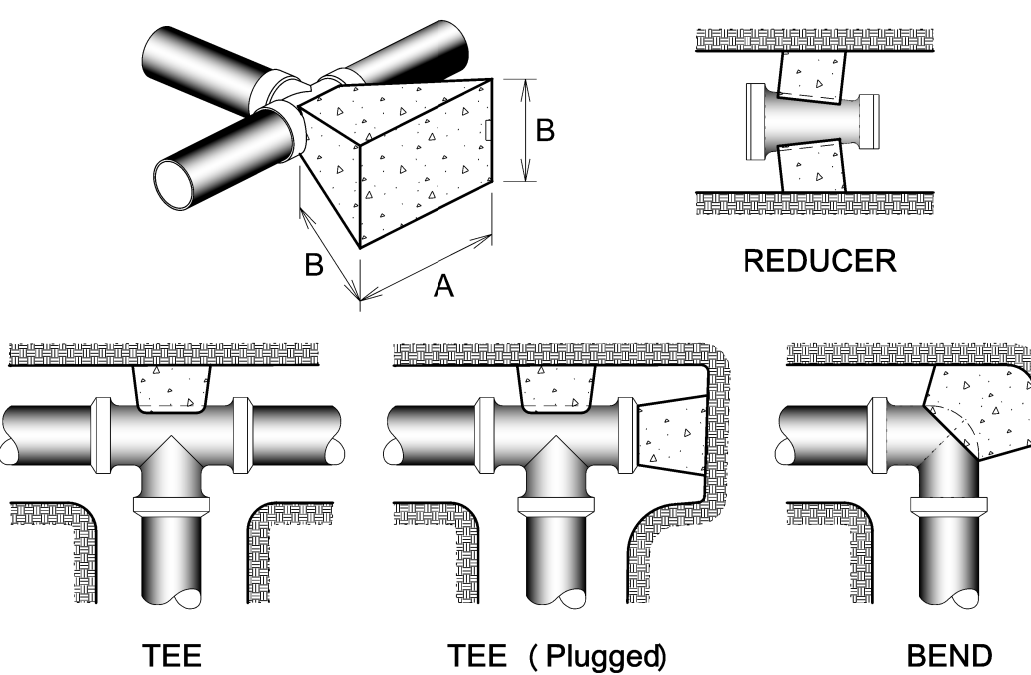


ASPHALT PATCHING SECTION
NTS



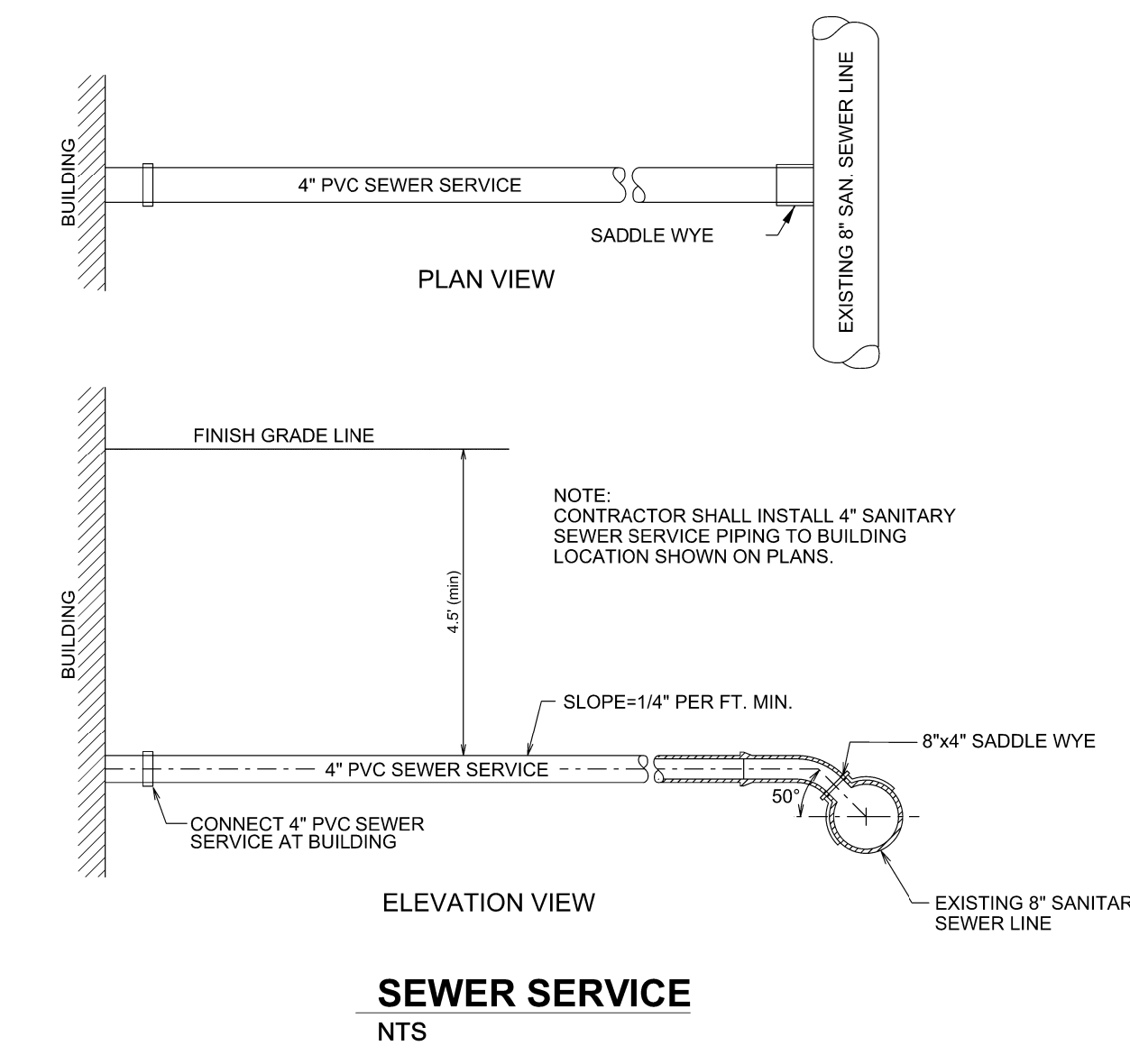
THRUST BLOCK DIMENSIONS							
VALVE SIZE	6" TO 8"	10"	12"	14"	16"	18"	24"
100 PSI	A	2'-0"	2'-0"	2'-3"	2'-3"	3'-0"	3'-8"
	B	2'-0"	2'-0"	2'-0"	2'-0"	3'-0"	4'-0"
	C	2'-0"	2'-0"	2'-9"	2'-4"	2'-11"	3'-0"
150 PSI	A	2'-0"	2'-6"	3'-0"	3'-5"	4'-4"	5'-5"
	B	2'-0"	2'-6"	3'-0"	3'-0"	3'-0"	4'-0"
	C	2'-0"	2'-0"	2'-9"	3'-0"	3'-0"	4'-0"
200 PSI	A	2'-0"	2'-9"	3'-5"	4'-6"	4'-1"	5'-1"
	B	2'-0"	2'-6"	3'-0"	3'-0"	4'-0"	4'-0"
	C	2'-0"	2'-6"	3'-0"	3'-0"	4'-0"	5'-0"
250 PSI	A	2'-0"	3'-0"	4'-3"	4'-0"	5'-1"	6'-4"
	B	2'-0"	3'-0"	3'-0"	4'-0"	4'-0"	6'-0"
	C	2'-0"	3'-0"	3'-0"	4'-0"	4'-0"	6'-0"
300 PSI	A	2'-0"	3'-0"	3'-0"	4'-0"	4'-0"	5'-0"
	B	2'-0"	3'-0"	3'-0"	4'-0"	4'-0"	6'-0"
	C	2'-7"	3'-0"	3'-0"	4'-0"	4'-0"	6'-0"

THRUST BLOCK DIMENSIONS
NTS

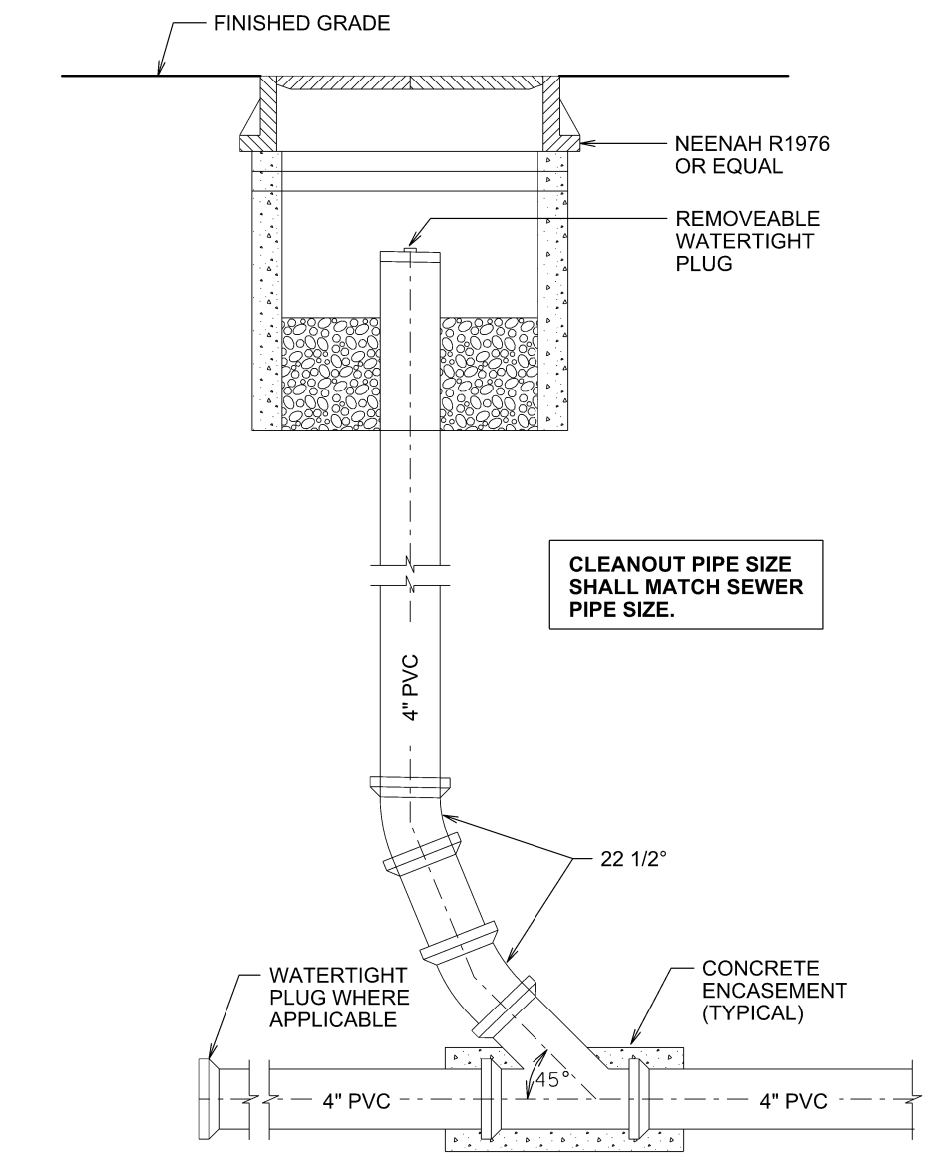


FITTING SIZES	TEES & PLUGS		90° BEND		45° BEND & WYES		REDUCERS, 11 1/4" & 22 1/2" BENDS	
	A	B	A	B	A	B	A	B
4"	1'-7"	1'-2"	1'-9"	1'-5"	1'-8"	0'-10"	1'-7"	0'-6"
6"	2'-0"	1'-11"	2'-5"	2'-2"	1'-10"	1'-3"	1'-9"	0'-10"
8"	2'-4"	2'-6"	3'-2"	3'-0"	2'-5"	2'-1"	1'-9"	1'-4"
10"	3'-4"	3'-3"	4'-0"	3'-10"	3'-10"	2'-9"	2'-2"	1'-11"
12"	4'-0"	3'-10"	4'-8"	4'-6"	3'-8"	3'-3"	2'-7"	2'-3"
14"	5'-3"	3'-10"	6'-4"	4'-11"	4'-9"	3'-2"	3'-5"	2'-5"

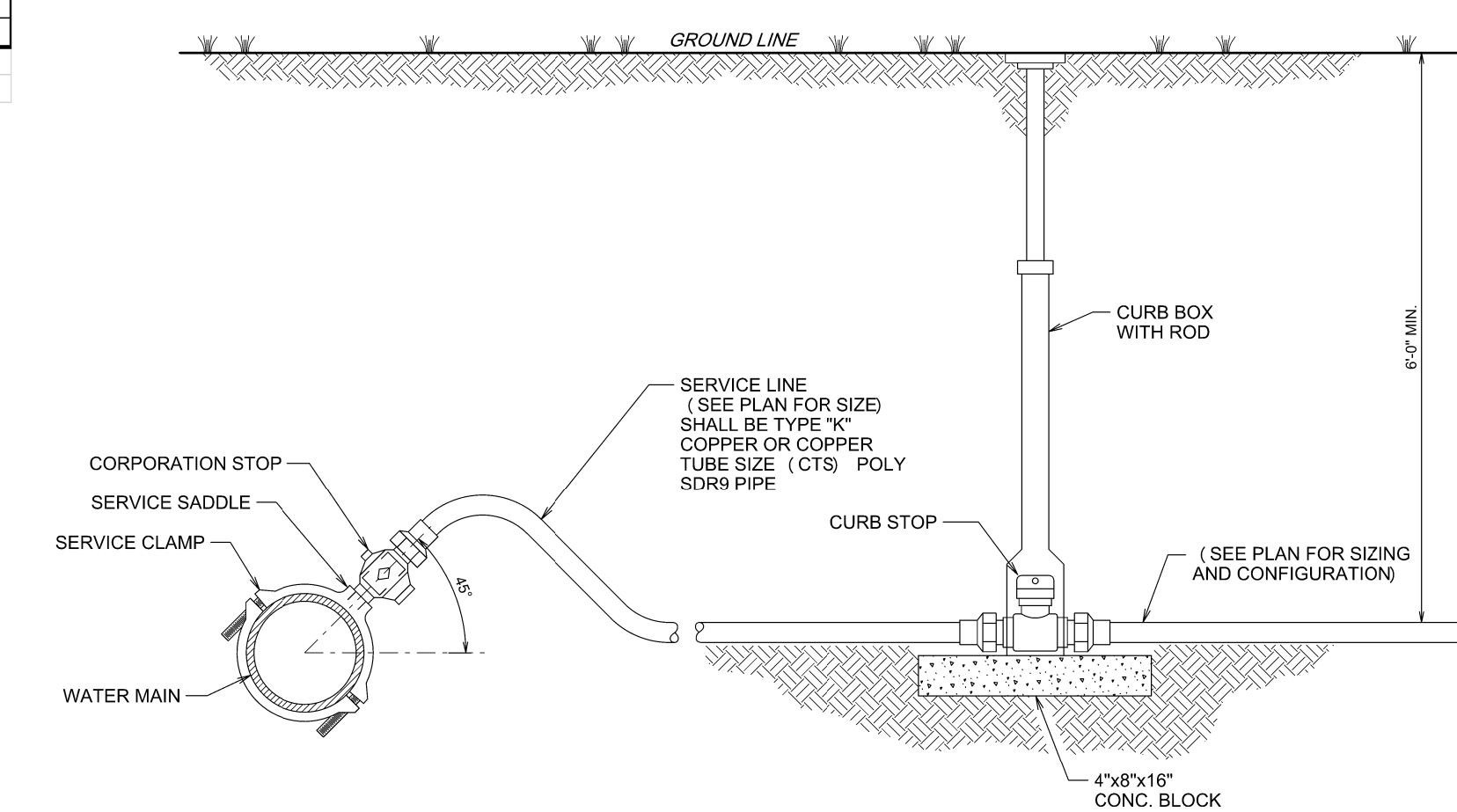
THRUST BLOCKING WATERMAIN
NTS



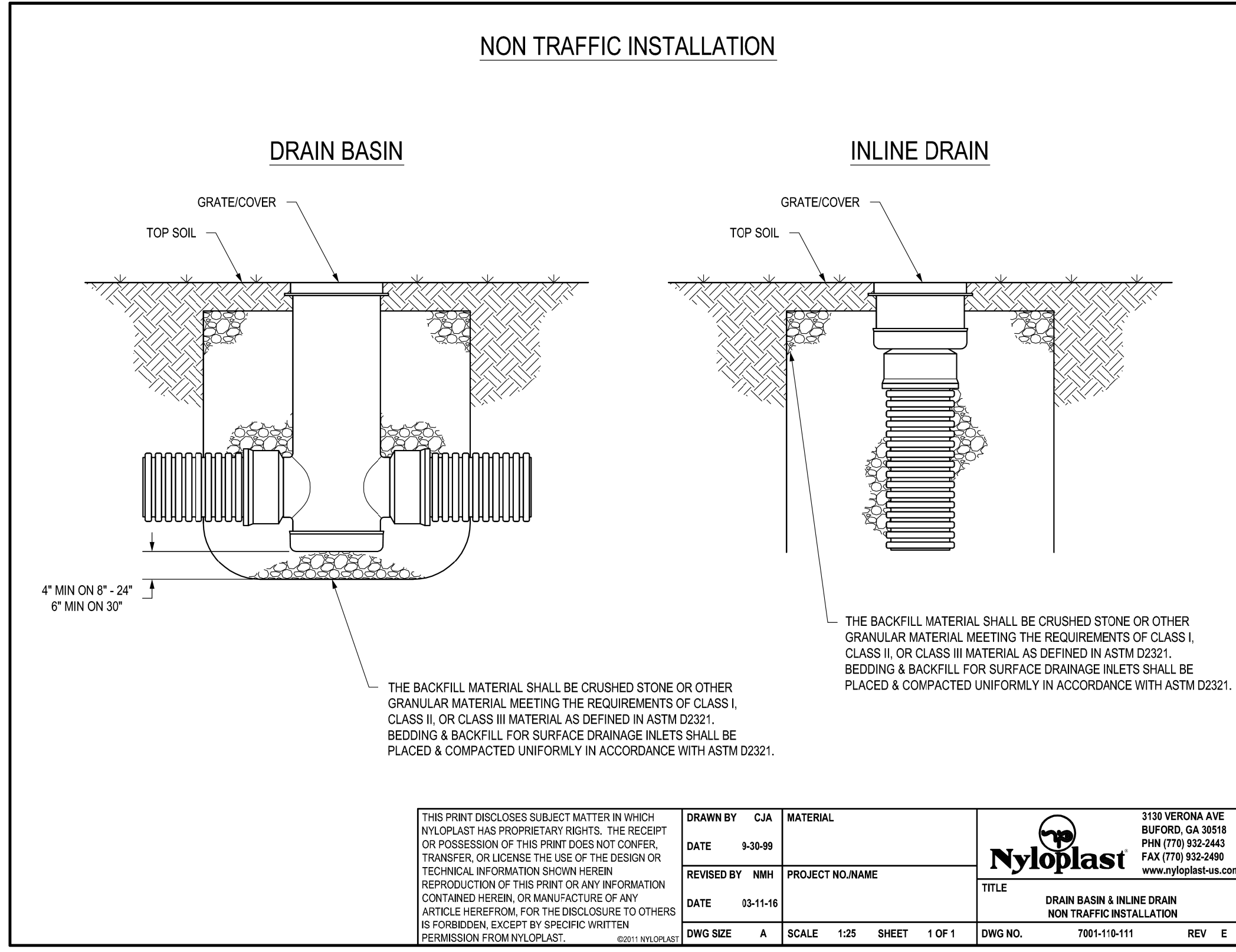
SEWER SERVICE
NTS



CLEANOUT
NTS



TYPE "K" WATER SERVICE CONNECTION
NTS



NON TRAFFIC INSTALLATION

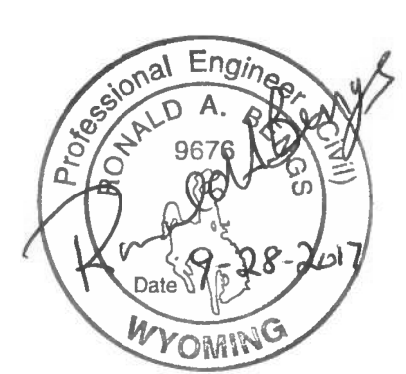
DRAIN BASIN

INLINE DRAIN

<p>THIS PRINT DISCLOSES SUBJECT MATTER IN WHICH NYLOPLAST HAS A PROPRIETARY RIGHT. THE RECEIPT OR POSSESSION OF THIS PRINT DOES NOT CONFER, TRANSFER OR LICENSE THE USE OF THE DESIGN OR TECHNICAL INFORMATION SHOWN HEREIN. REPRODUCTION OF THIS PRINT OR ANY INFORMATION CONTAINED HEREIN, OR MANUFACTURE OF ANY ARTICLE HEREFROM, FOR THE DISCLOSURE TO OTHERS IS FORBIDDEN EXCEPT BY SPECIFIC WRITTEN PERMISSION FROM NYLOPLAST.</p>	<p>DRAWN BY: CJR DATE: 9-30-09 REVIEWED BY: NMM DATE: 05-11-16</p>	<p>MATERIAL: PROJECT NO. NAME: SCALE: 1/8" = 1'-0" SHEET: 1 OF 1 DWG NO.: 1601-116-111</p>	<p>Nyloplast 3100 VERONA AVE BIRMINGHAM, GA 30606 PHN (770) 832-2442 FAX (770) 924-4446 www.nyloplast.com</p>
--	--	--	--

PROJECT NO. L16-16-092L01
Interstate Engineering, Inc.
315 Main Street
PO Box 828
Sundance, WY 82729
PH (307) 263-3275
www.interstateeng.com

INTERSTATE ENGINEERING
Professionals you need, people you trust.



OLD STONEY REMODEL
PHASE ONE
108 NORTH 4TH STREET
SUNDANCE WY, 82729

Staline No. 7
ARCHITECTS
108 North 4th Street
Sundance, WY 82729
PH (307) 263-3275
www.staline.com

PROJECT NUMBER	16-022
DATE	11/20/2017
DRAWN BY	CLG / CDK
DISK ID.	
SHEET TITLE	DETAILS
SHEET NUMBER	1.03