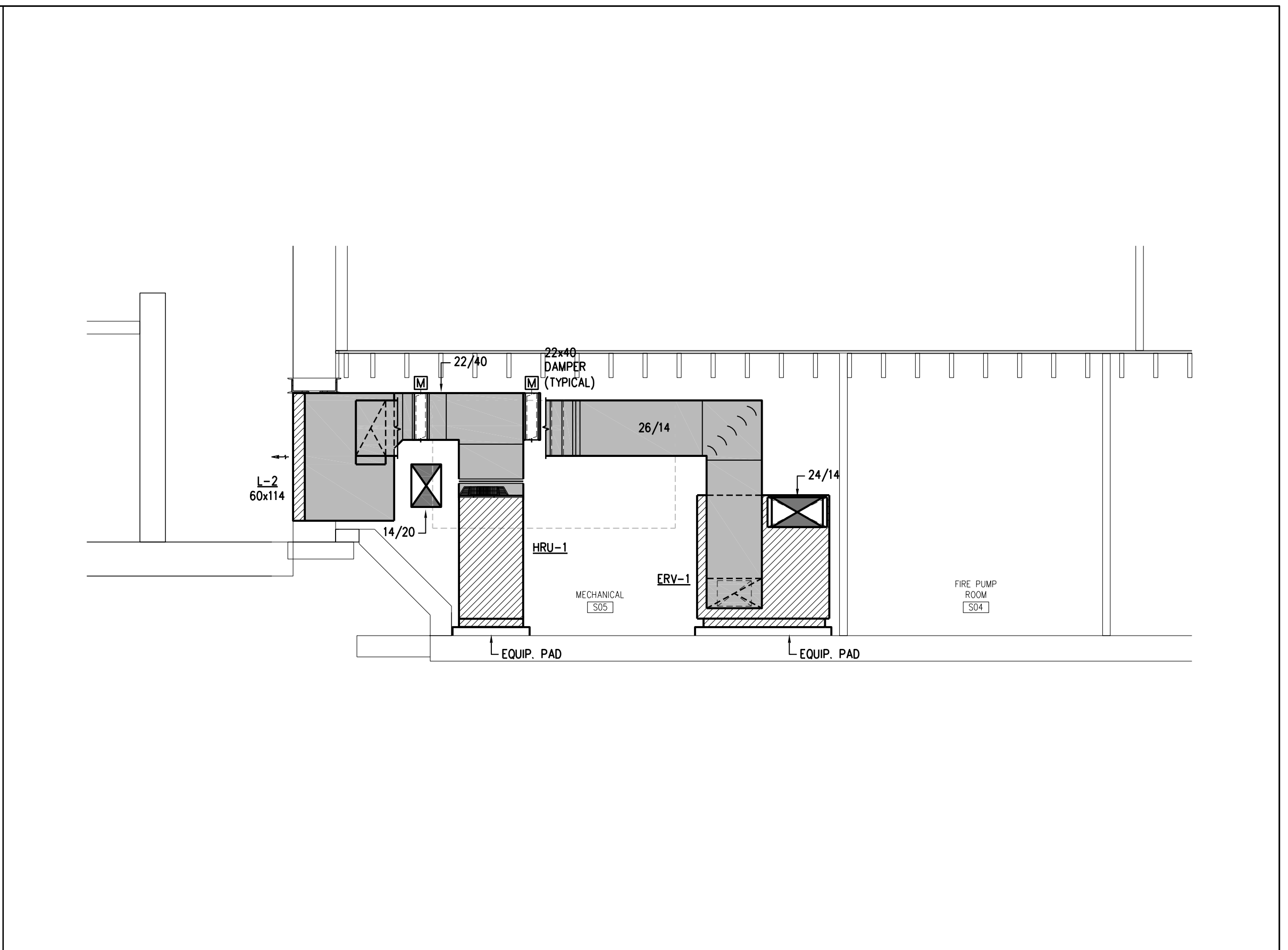
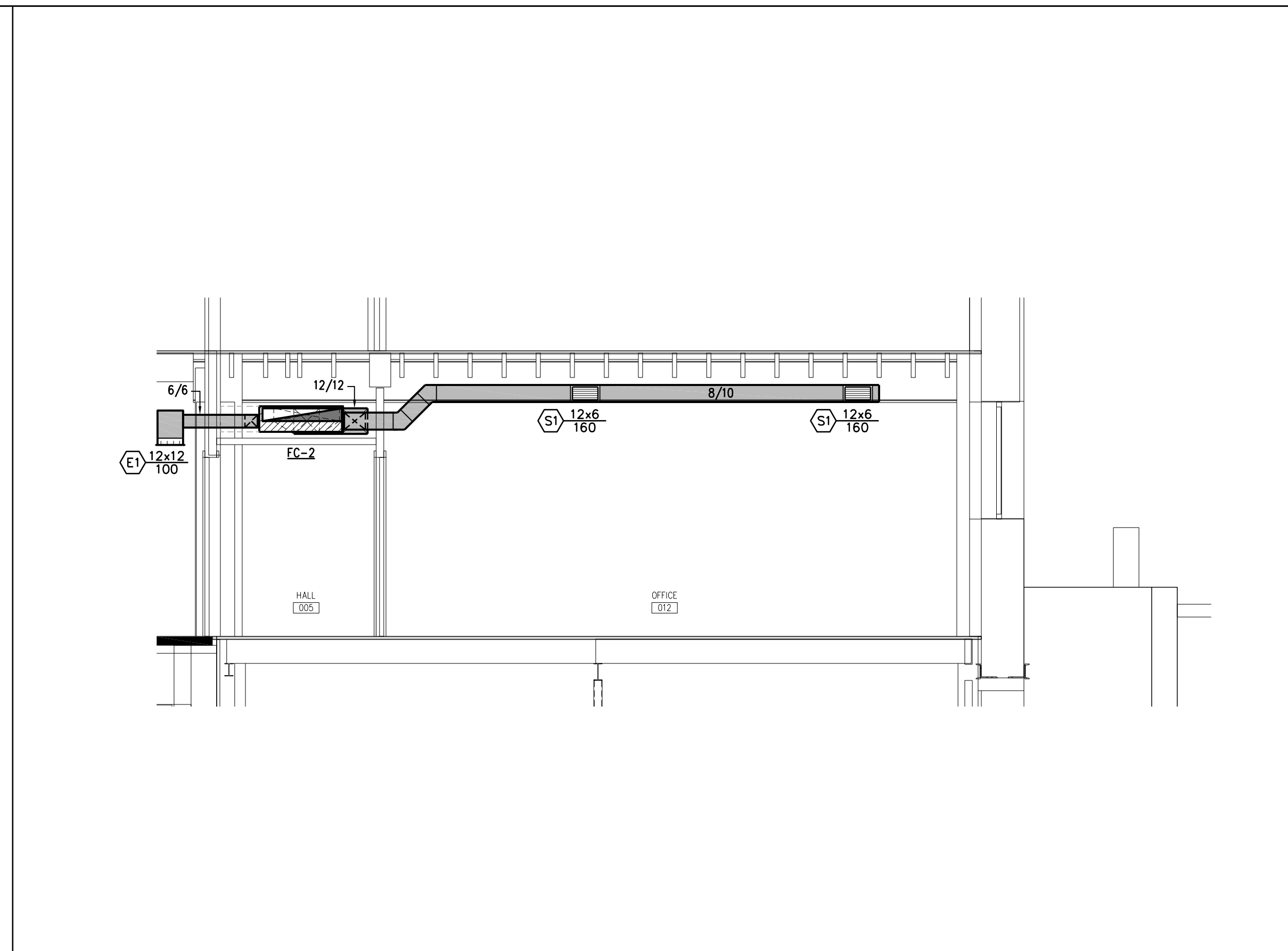


NOT USED

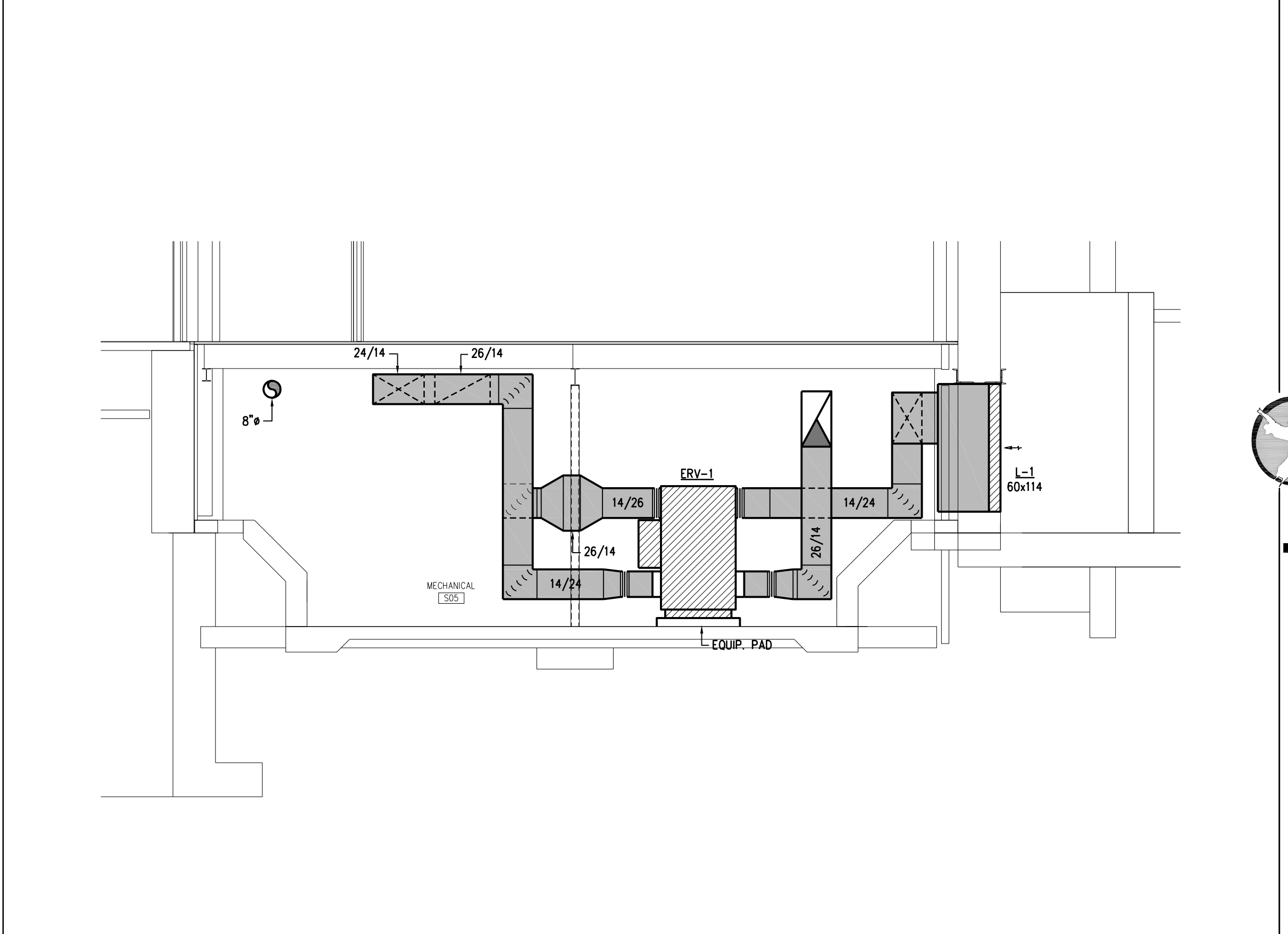
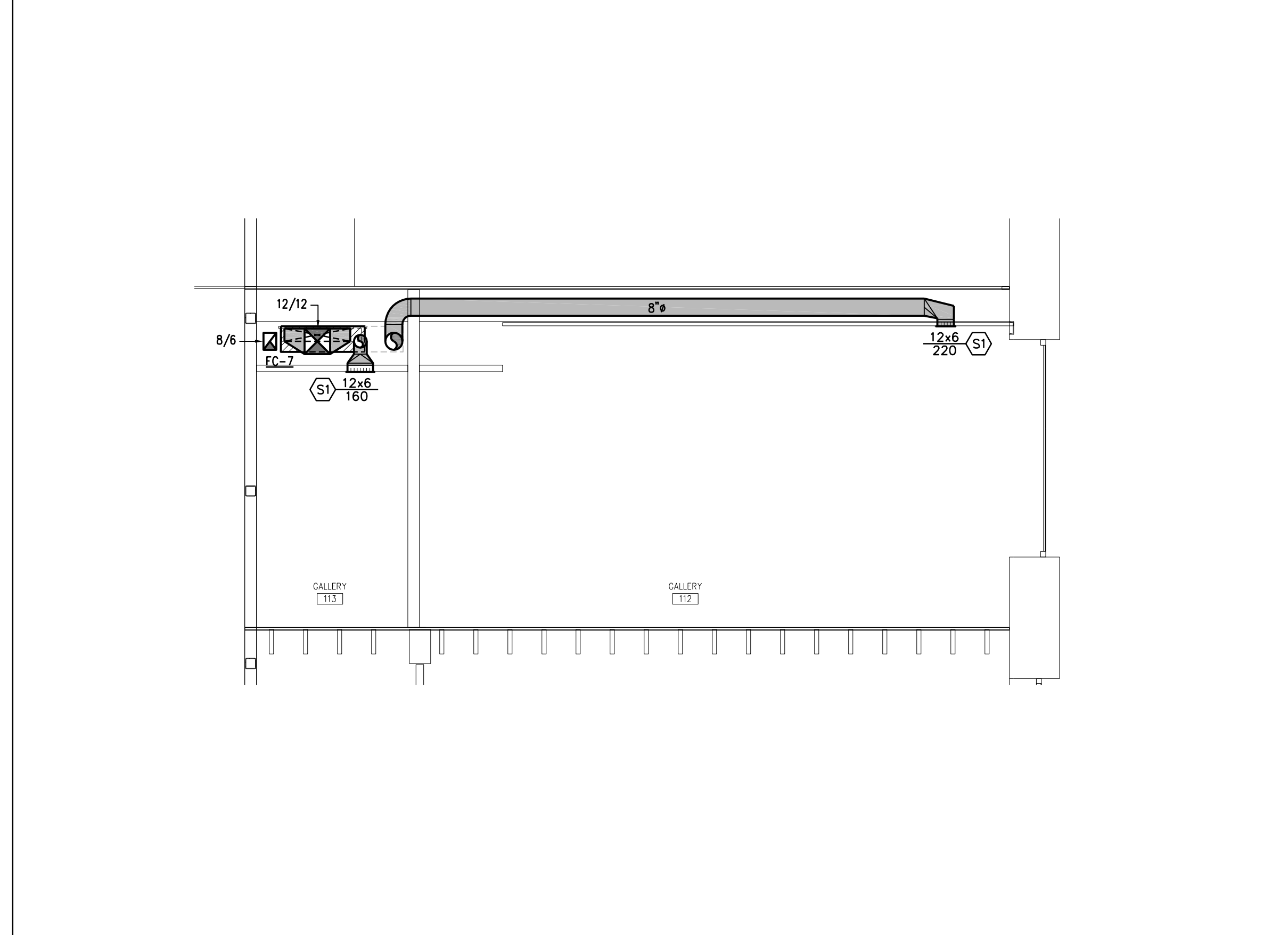


1/4" = 1'-0" 07

SECTION 'D' 1/4" = 1'-0" 04

SECTION 'A' 1/4" = 1'-0" 01

NOT USED

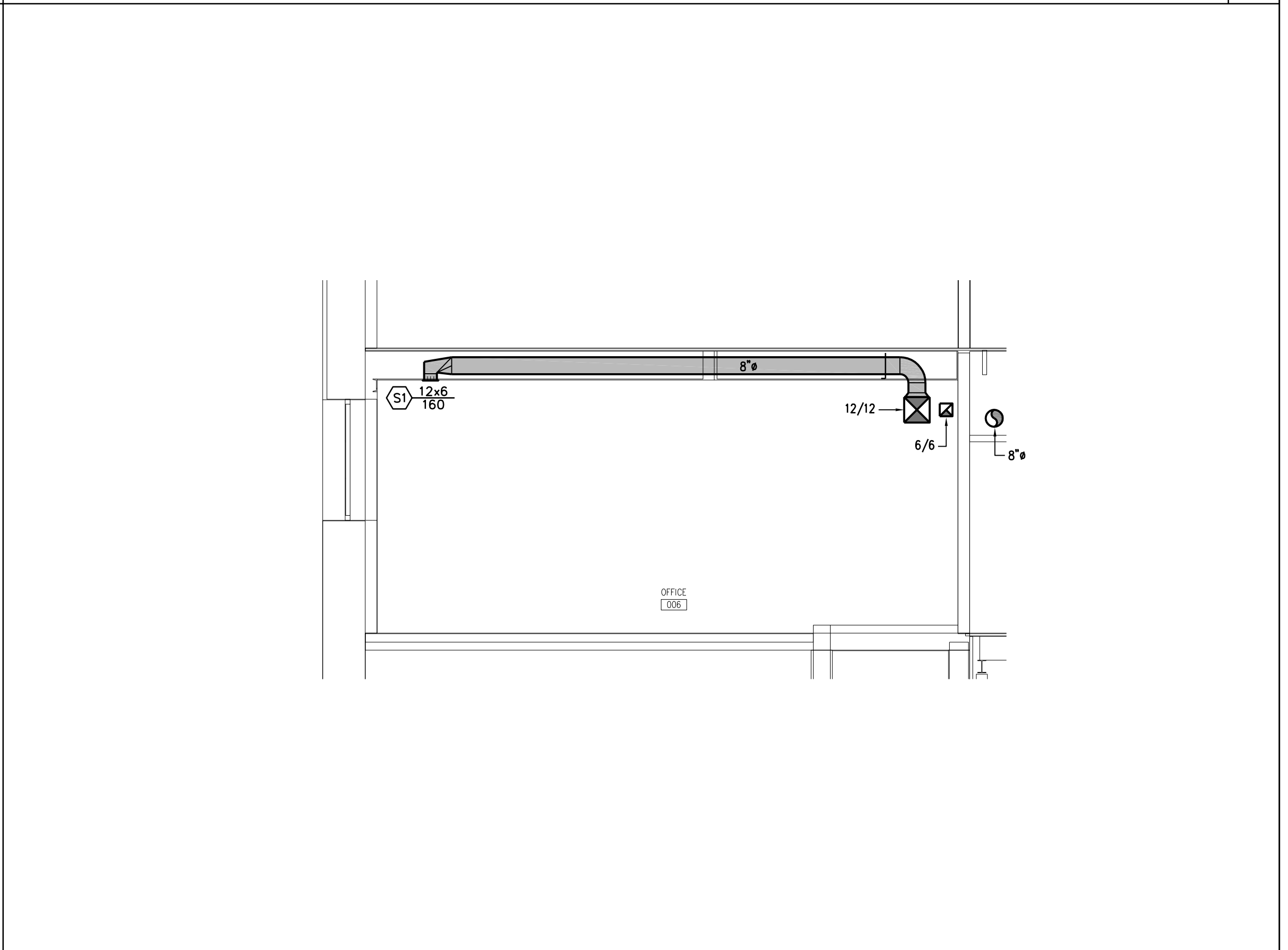
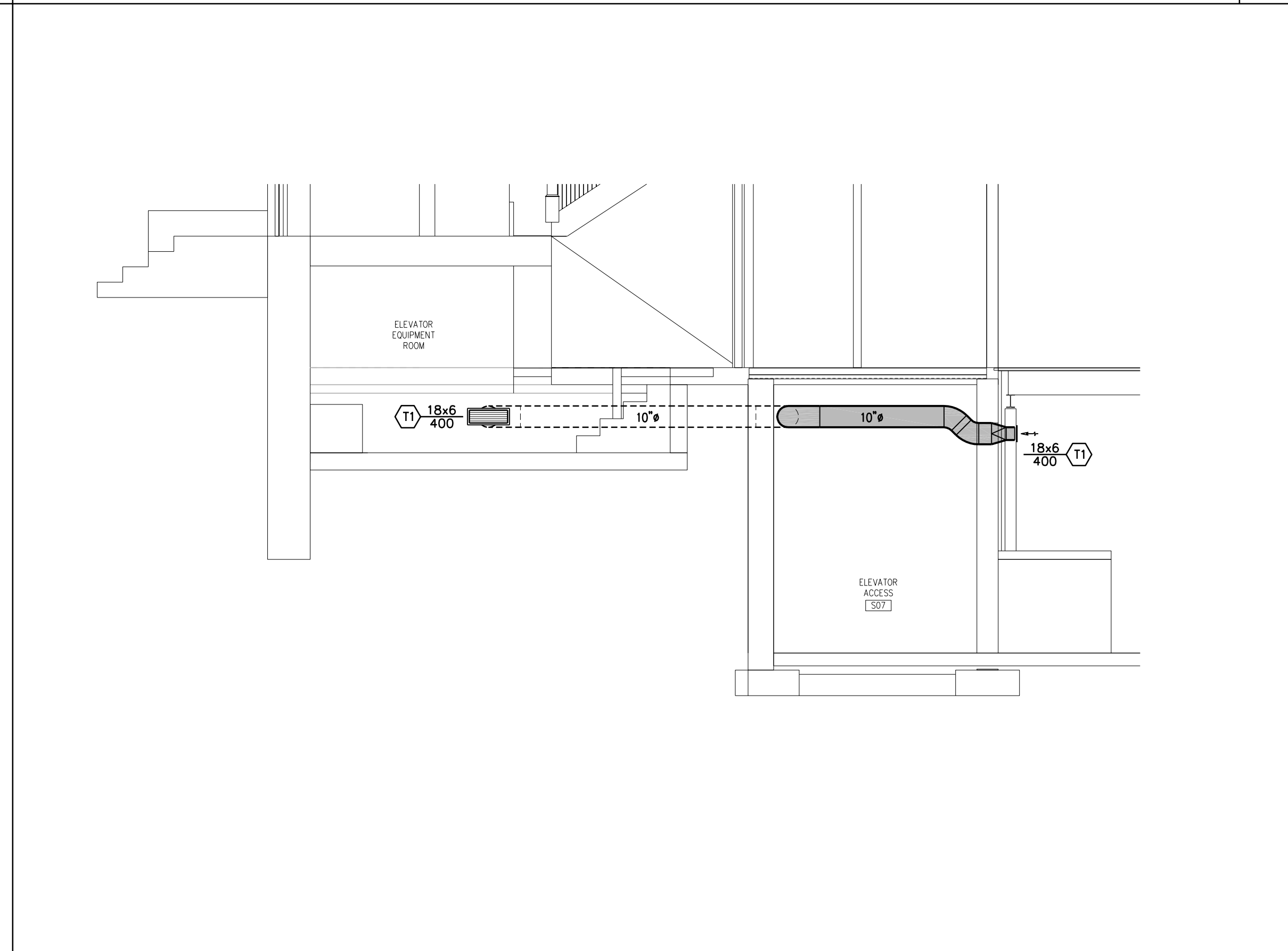


1/4" = 1'-0" 08

SECTION 'E' 1/4" = 1'-0" 05

SECTION 'B' 1/4" = 1'-0" 03

NOT USED

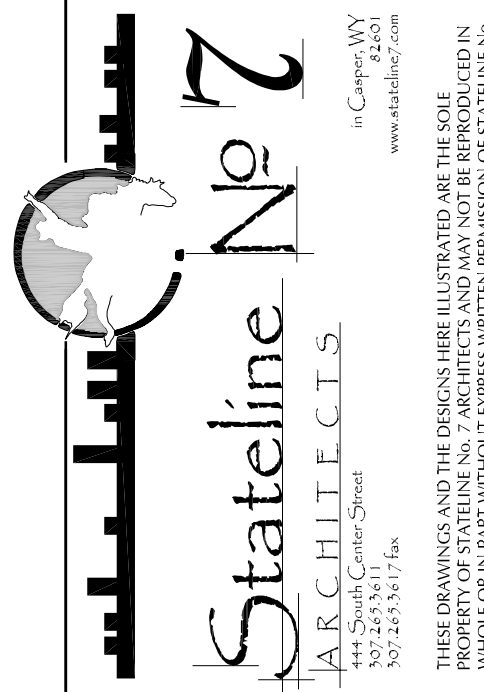


1/4" = 1'-0" 09

SECTION 'F' 1/4" = 1'-0" 06

SECTION 'C' 1/4" = 1'-0" 03

OLD STONEY REMODEL  
PHASE ONE  
108 NORTH 4TH STREET  
SUNDANCE WY, 82729



PROJECT NUMBER  
16-022 / 17040

DATE  
11/20/2017

DRAWN BY  
AE/KRD

DISK ID.

SHEET TITLE  
PHASE 1  
MECHANICAL  
SECTIONS

SHEET NUMBER

15.50