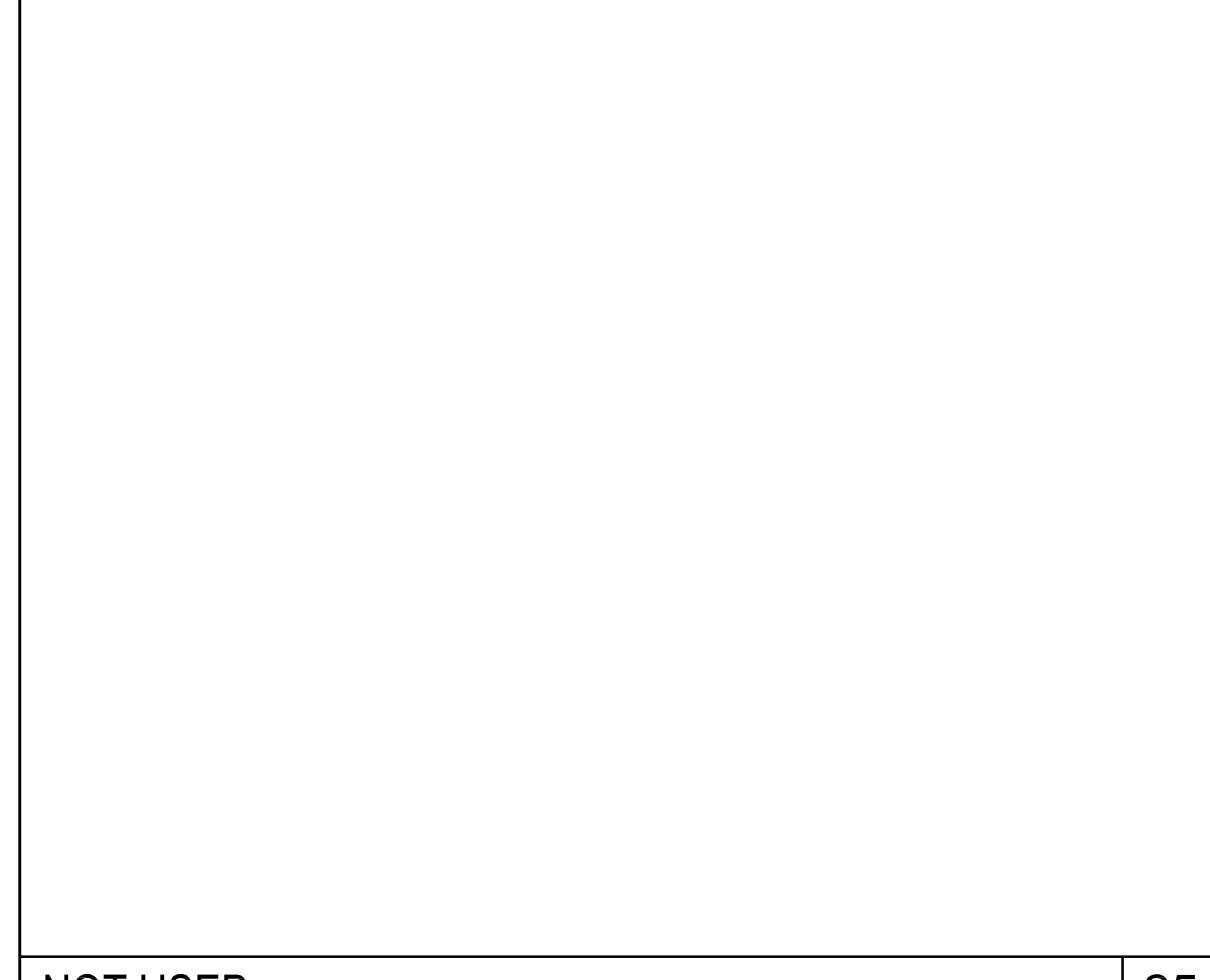


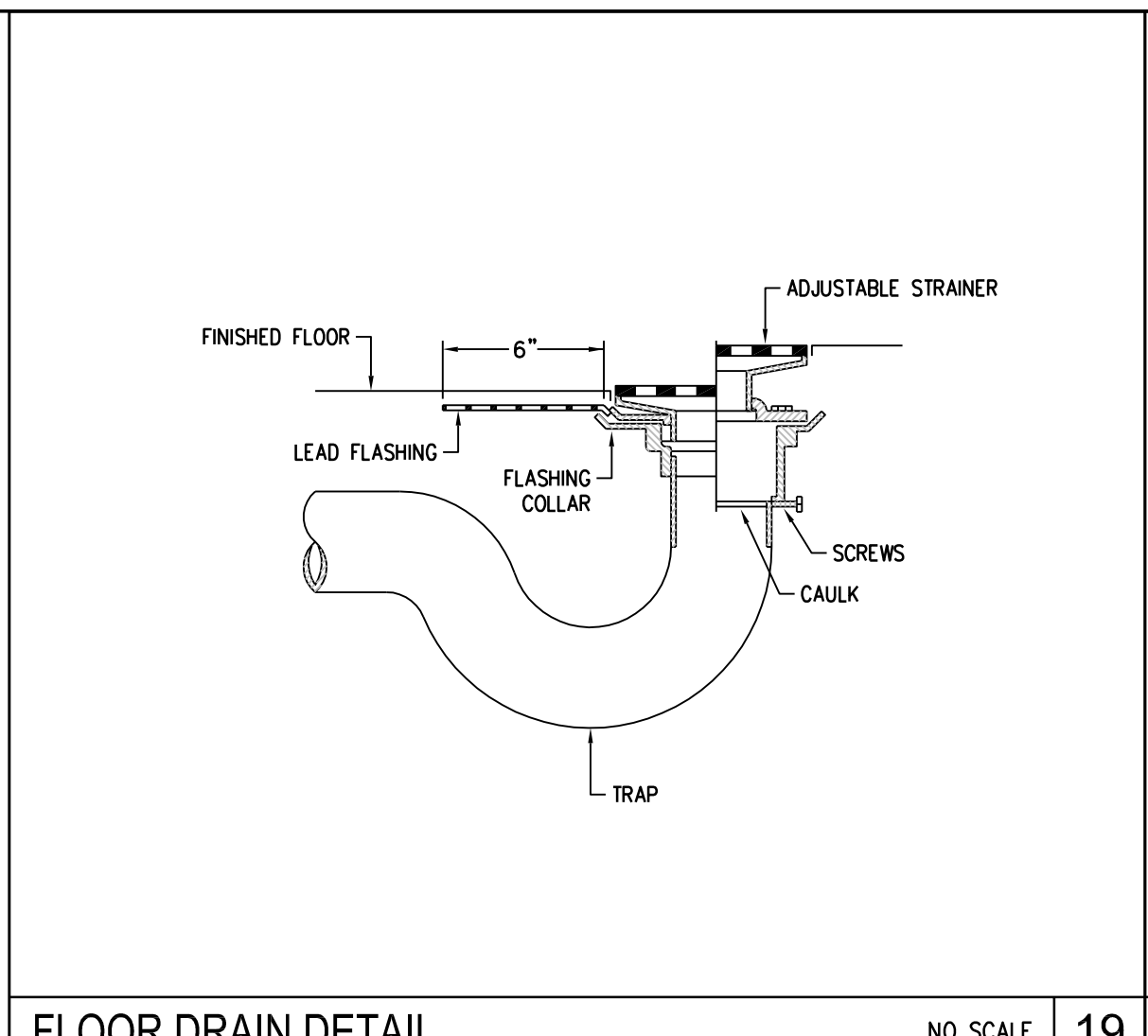
HRU-1 PIPING LAYOUT NO SCALE 23



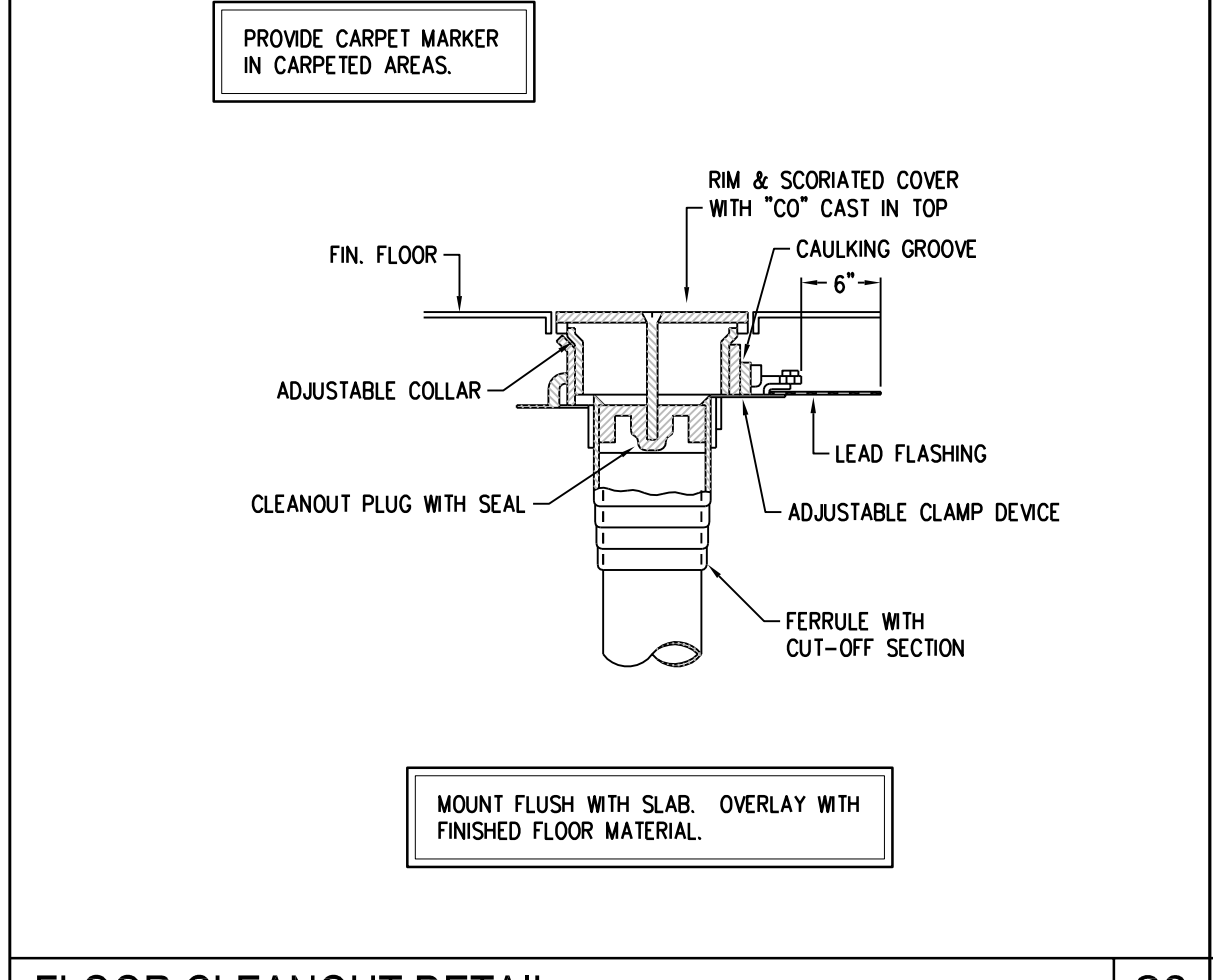
NOT USED NO SCALE 24



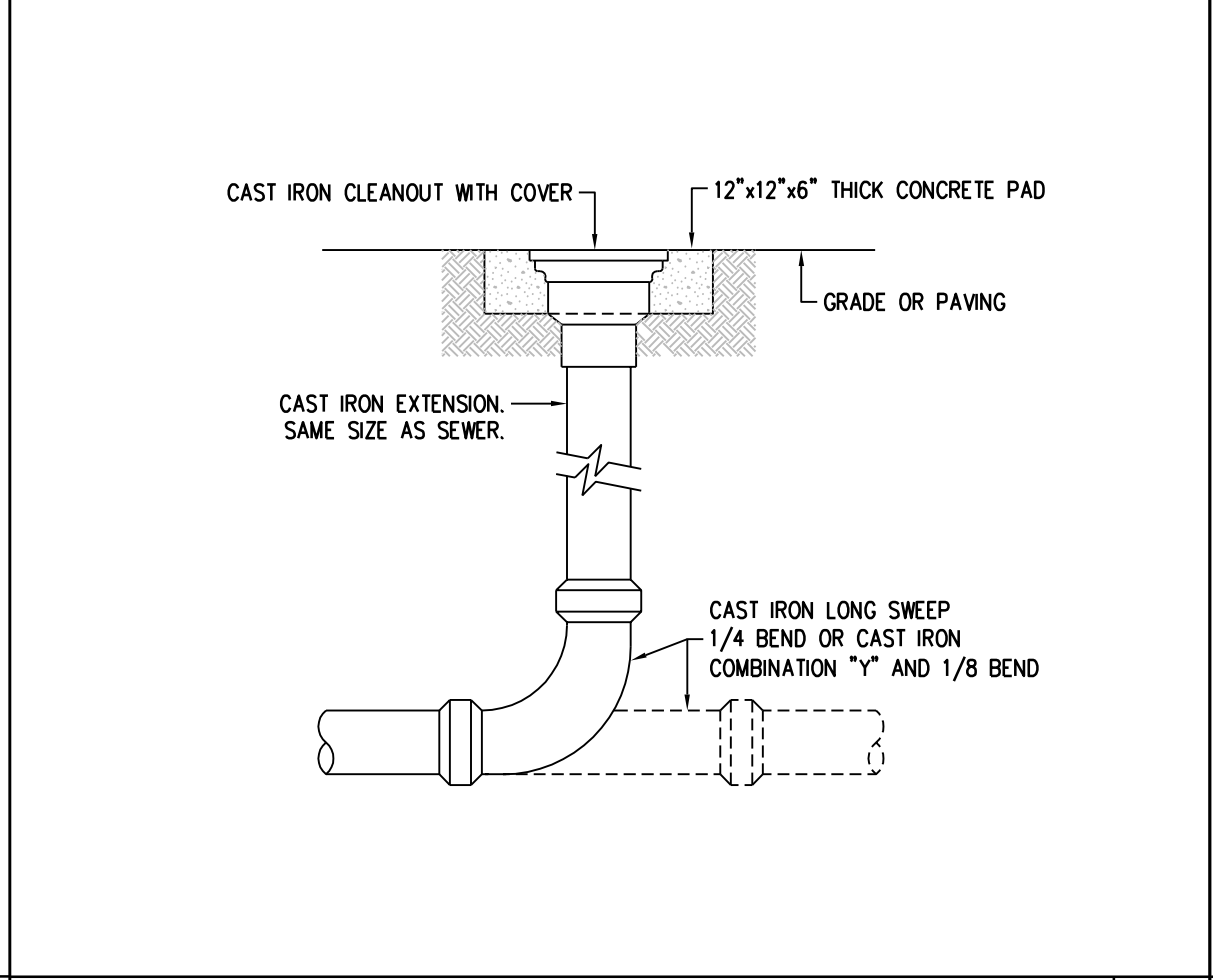
HRU-2 PIPING LAYOUT NO SCALE 25



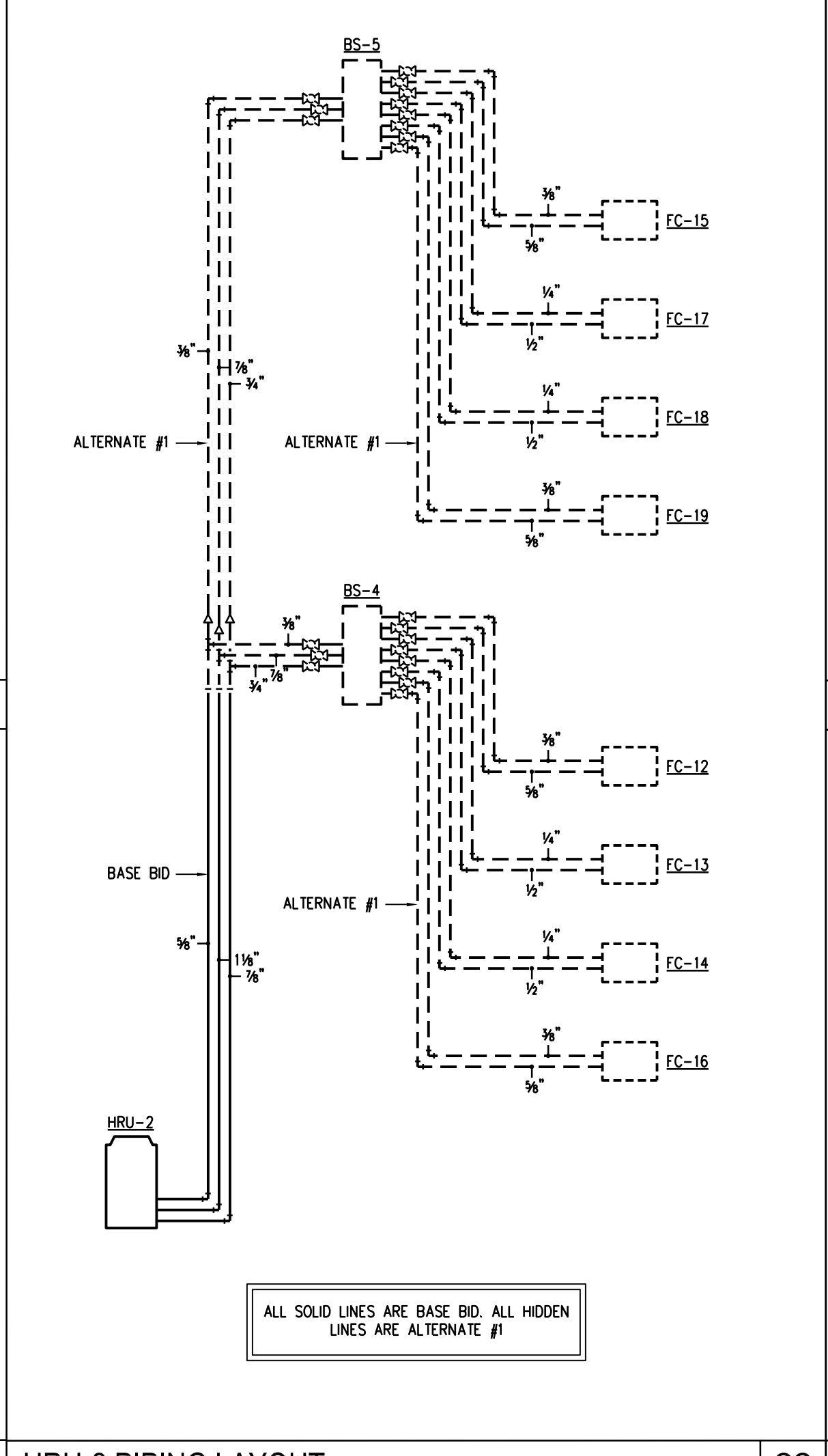
FLOOR DRAIN DETAIL NO SCALE 19



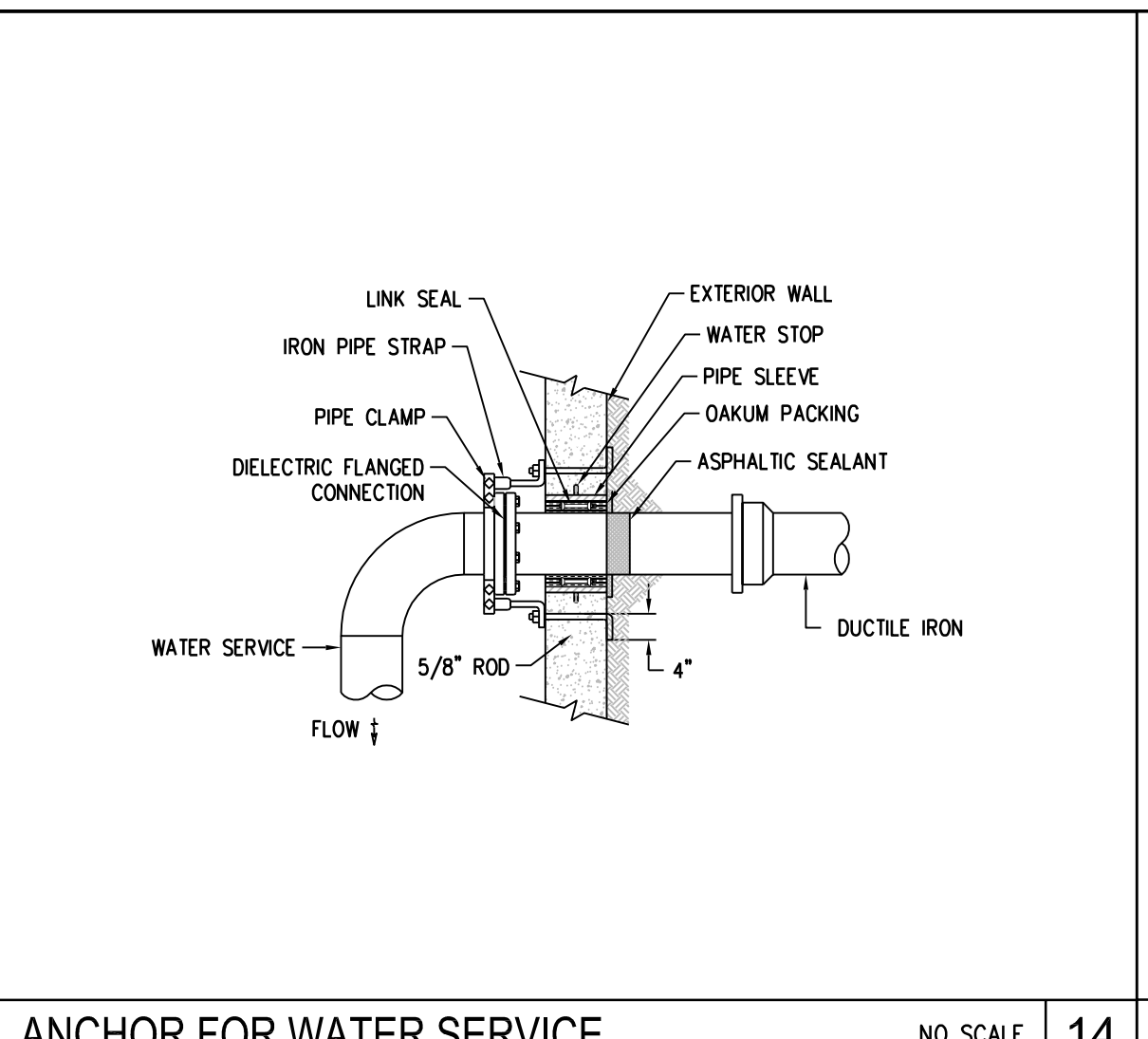
FLOOR CLEANOUT DETAIL NO SCALE 20



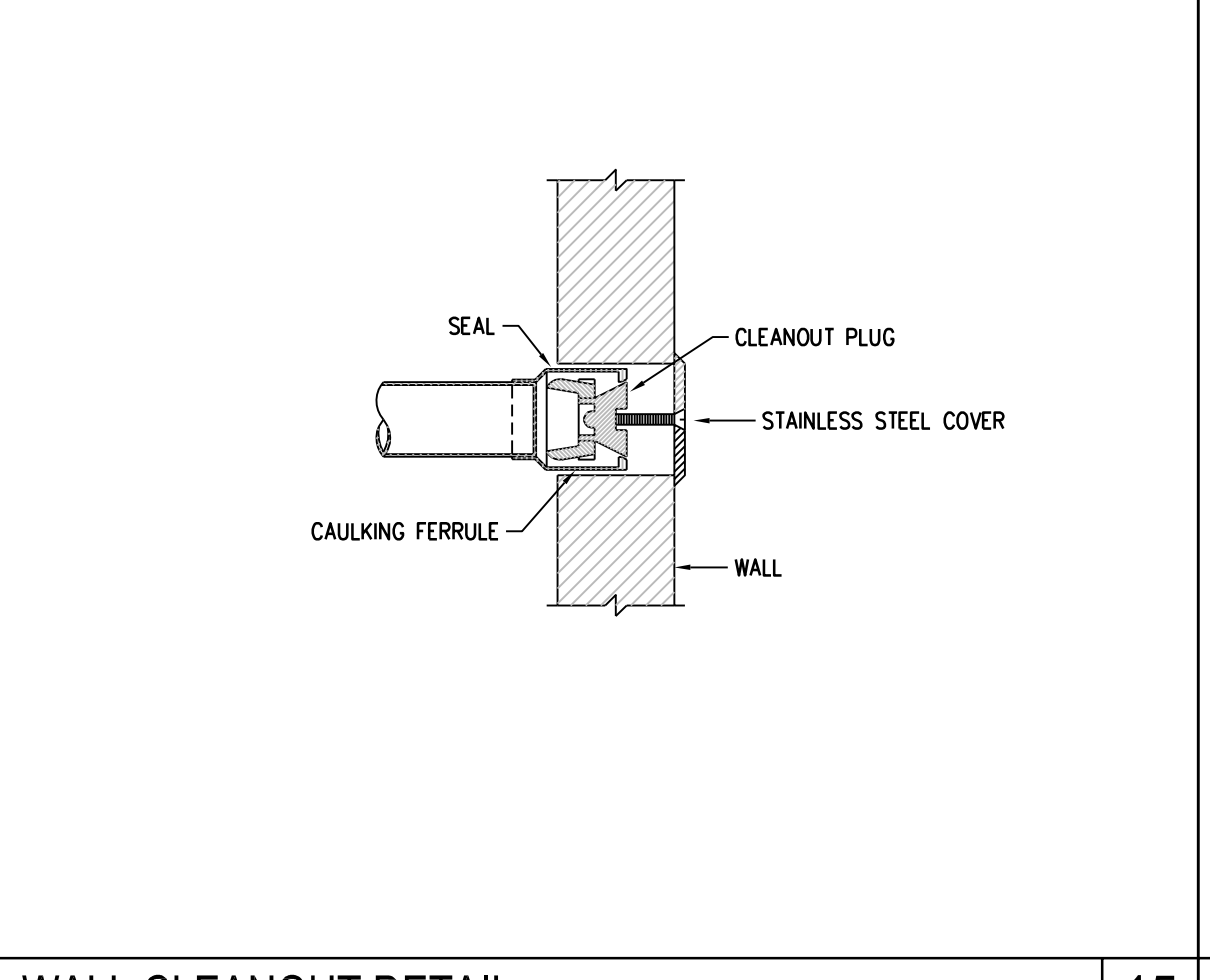
GRADE CLEANOUT DETAIL NO SCALE 21



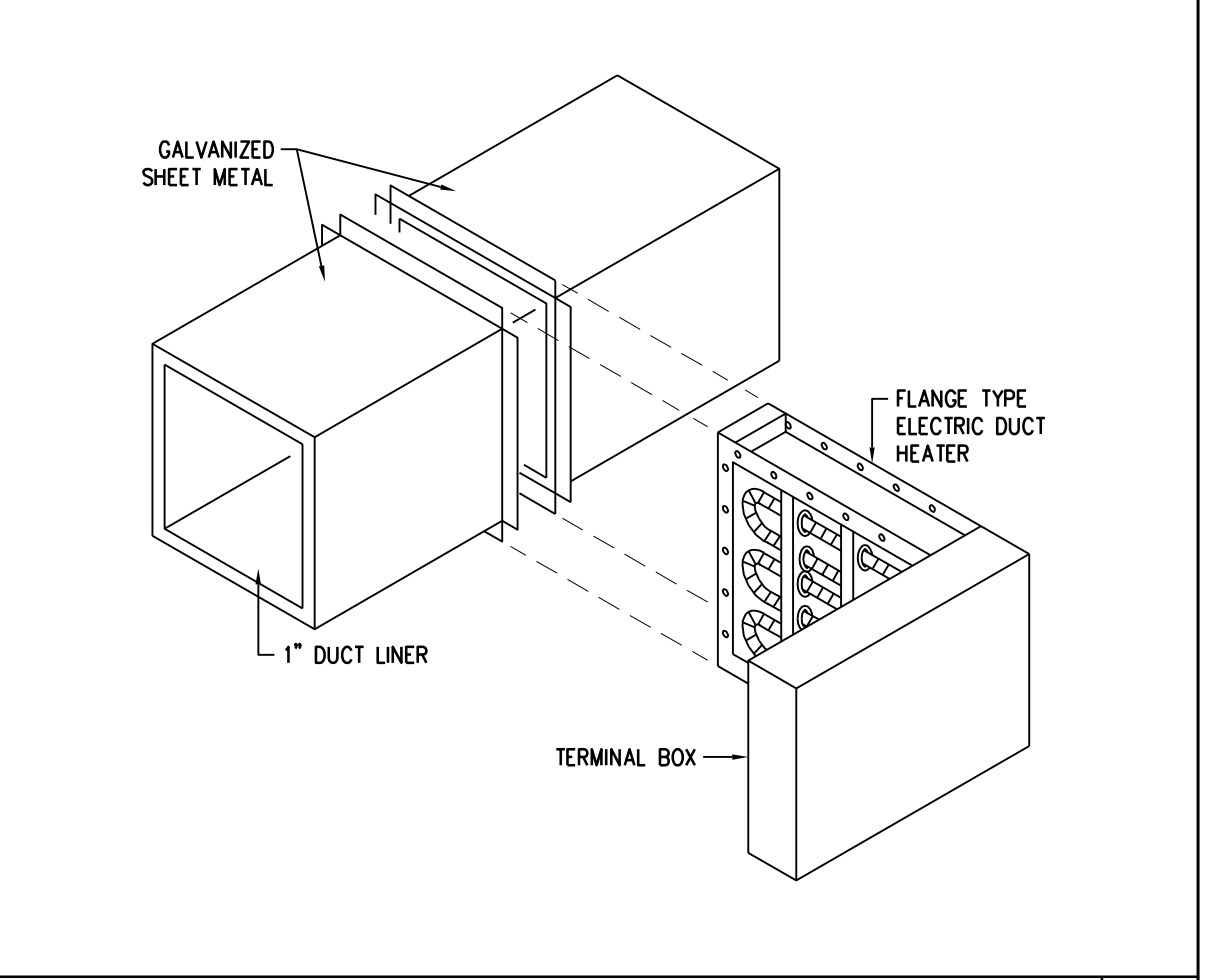
HRU-2 PIPING LAYOUT NO SCALE 22



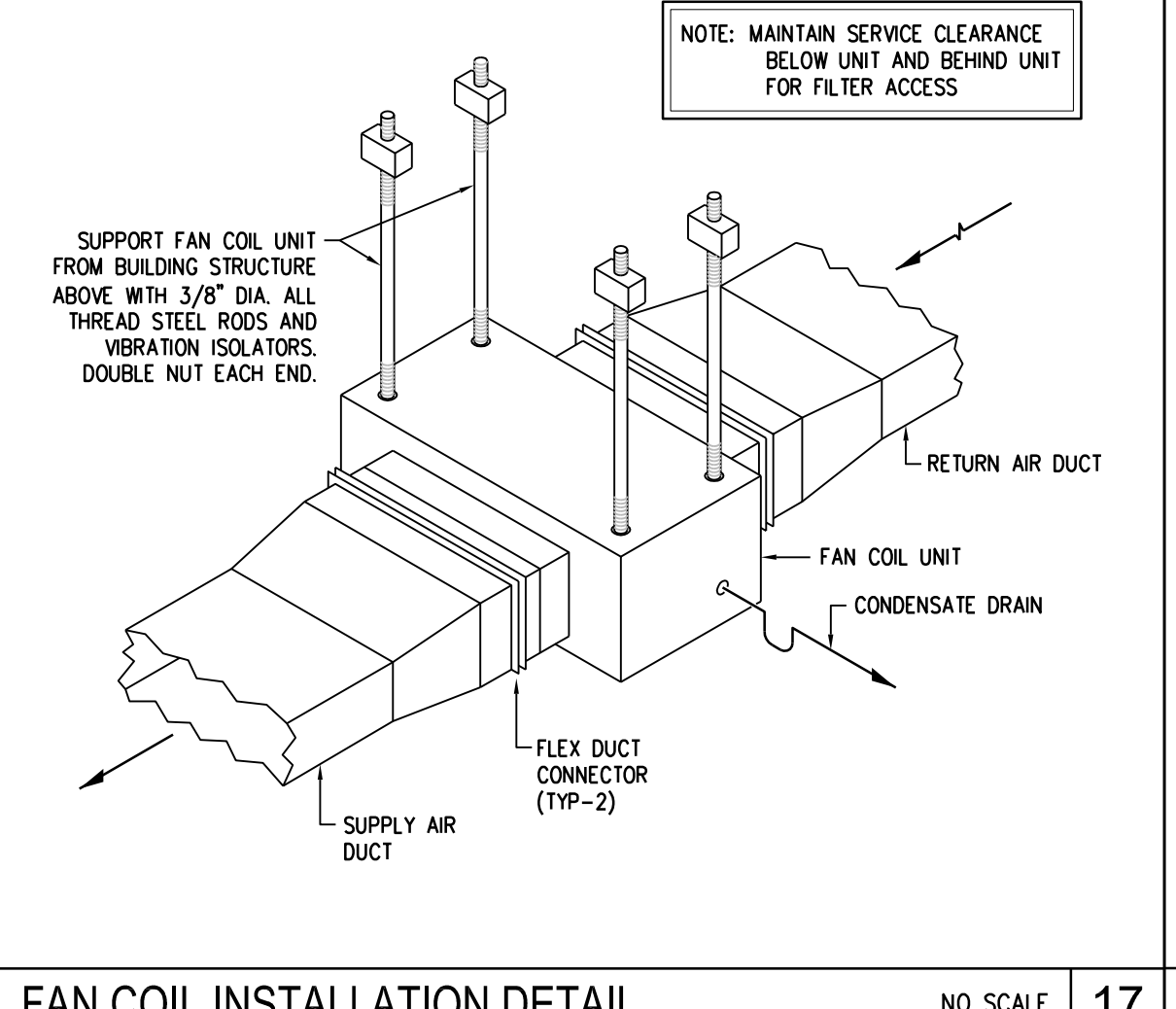
ANCHOR FOR WATER SERVICE NO SCALE 14



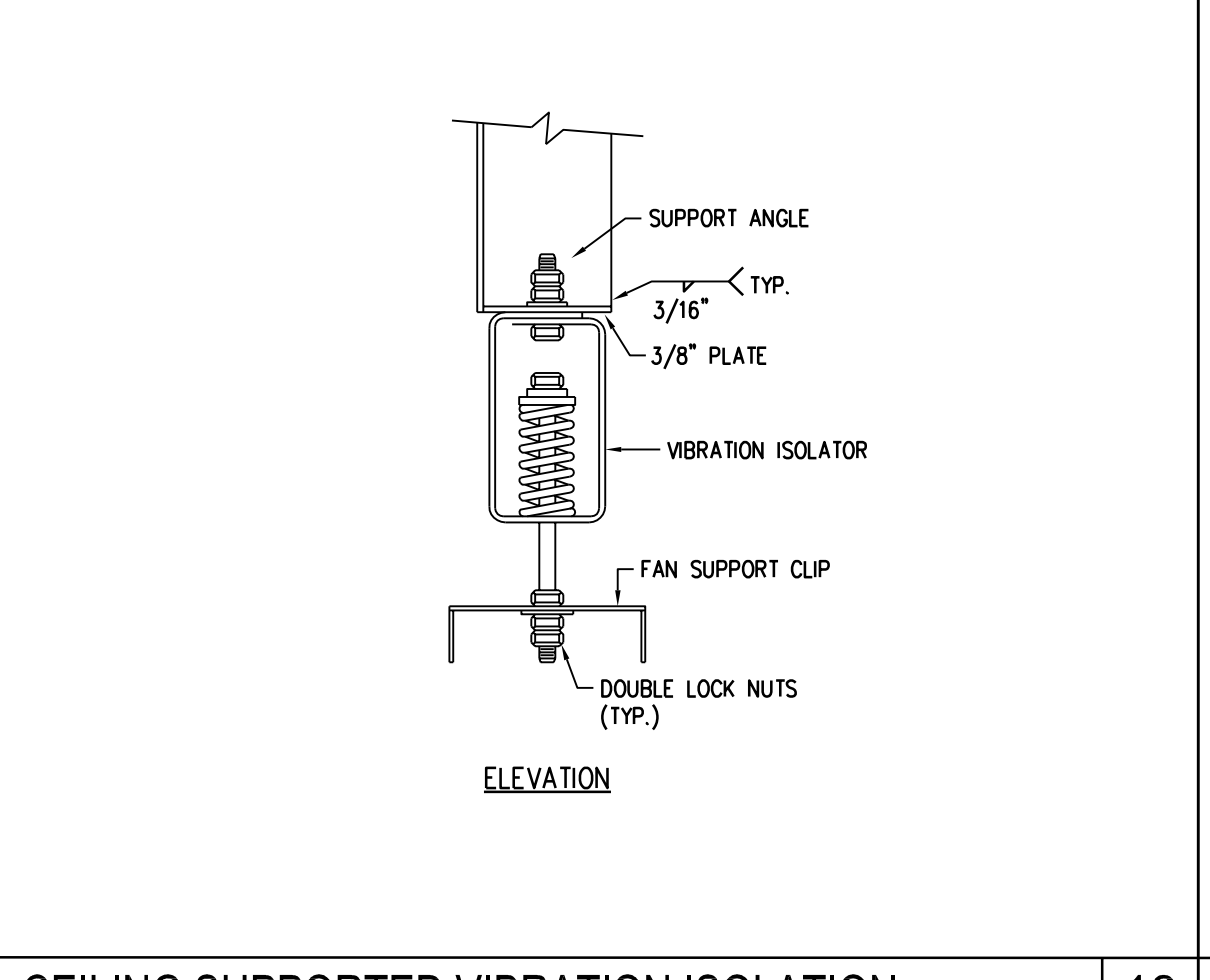
WALL CLEANOUT DETAIL NO SCALE 15



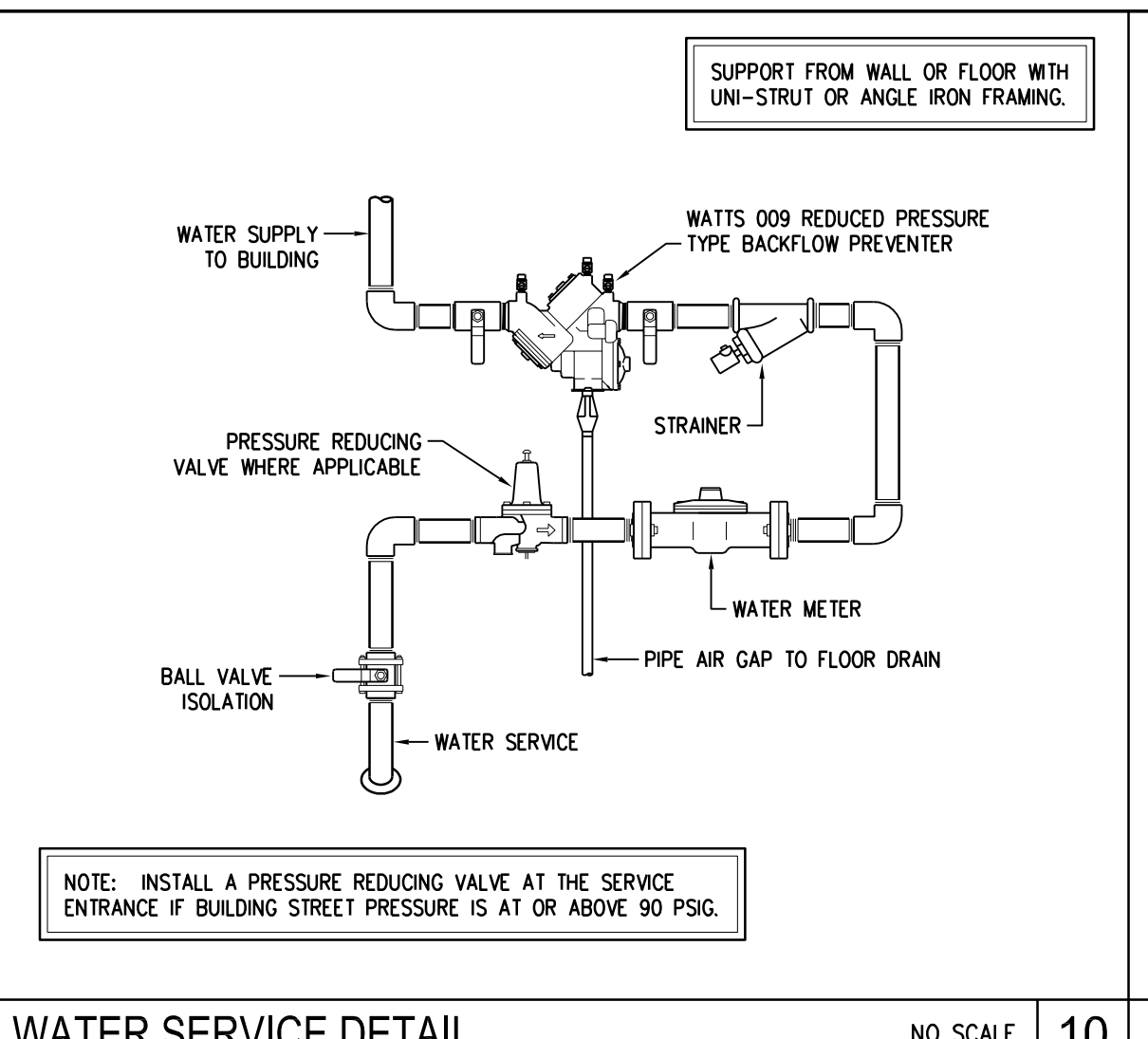
ELECTRIC DUCT HEATER NO SCALE 16



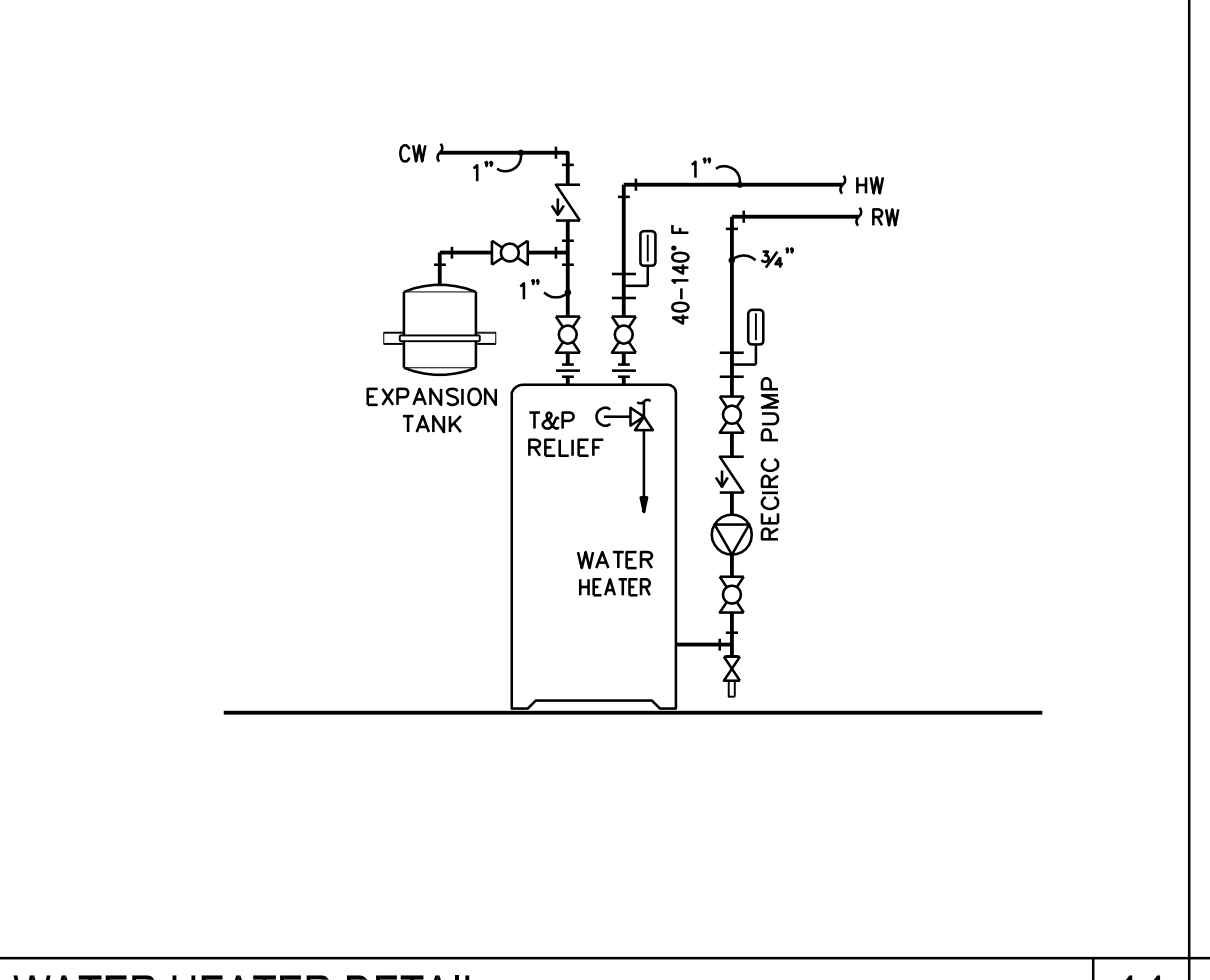
FAN COIL INSTALLATION DETAIL NO SCALE 17



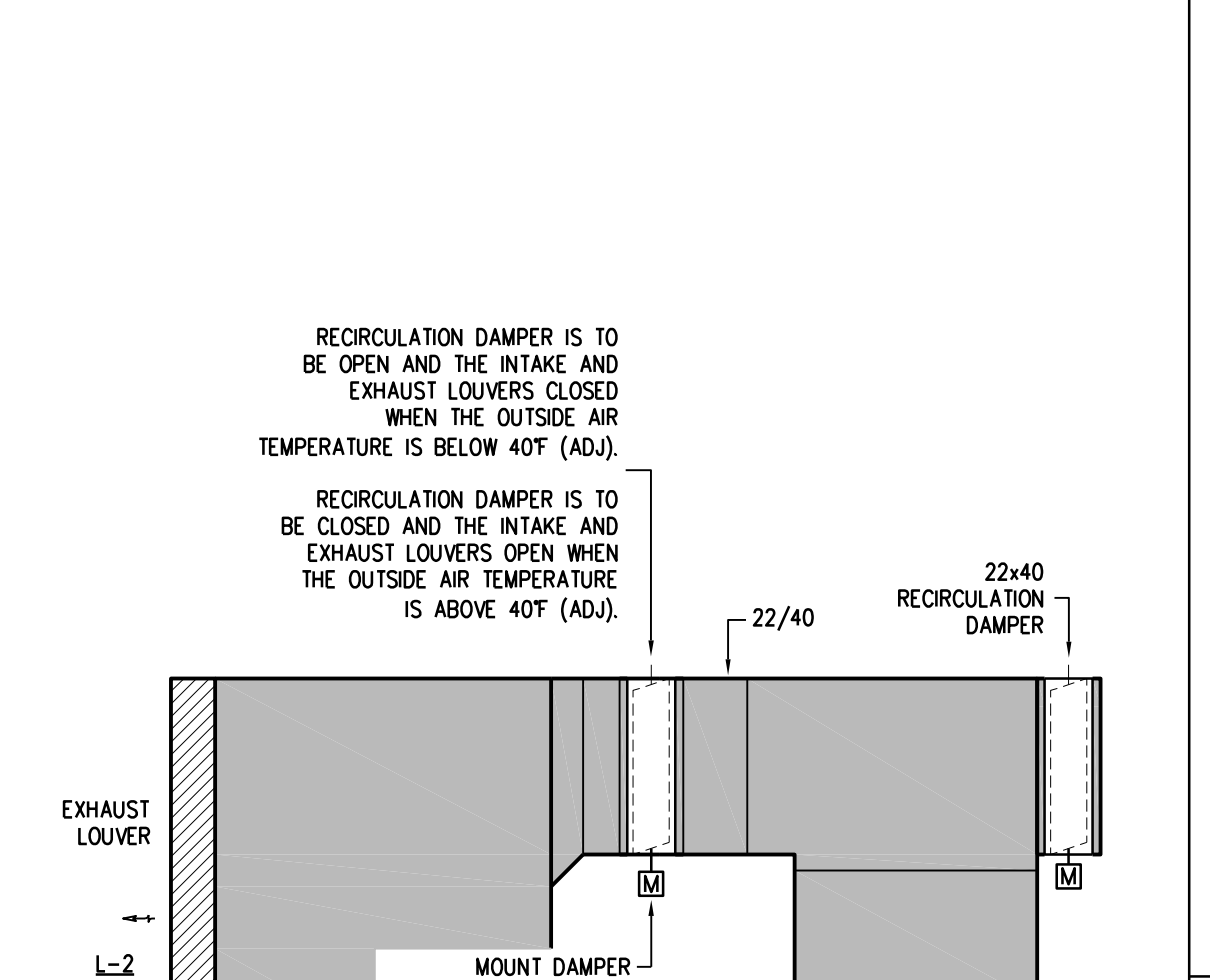
CEILING SUPPORTED VIBRATION ISOLATION NO SCALE 18



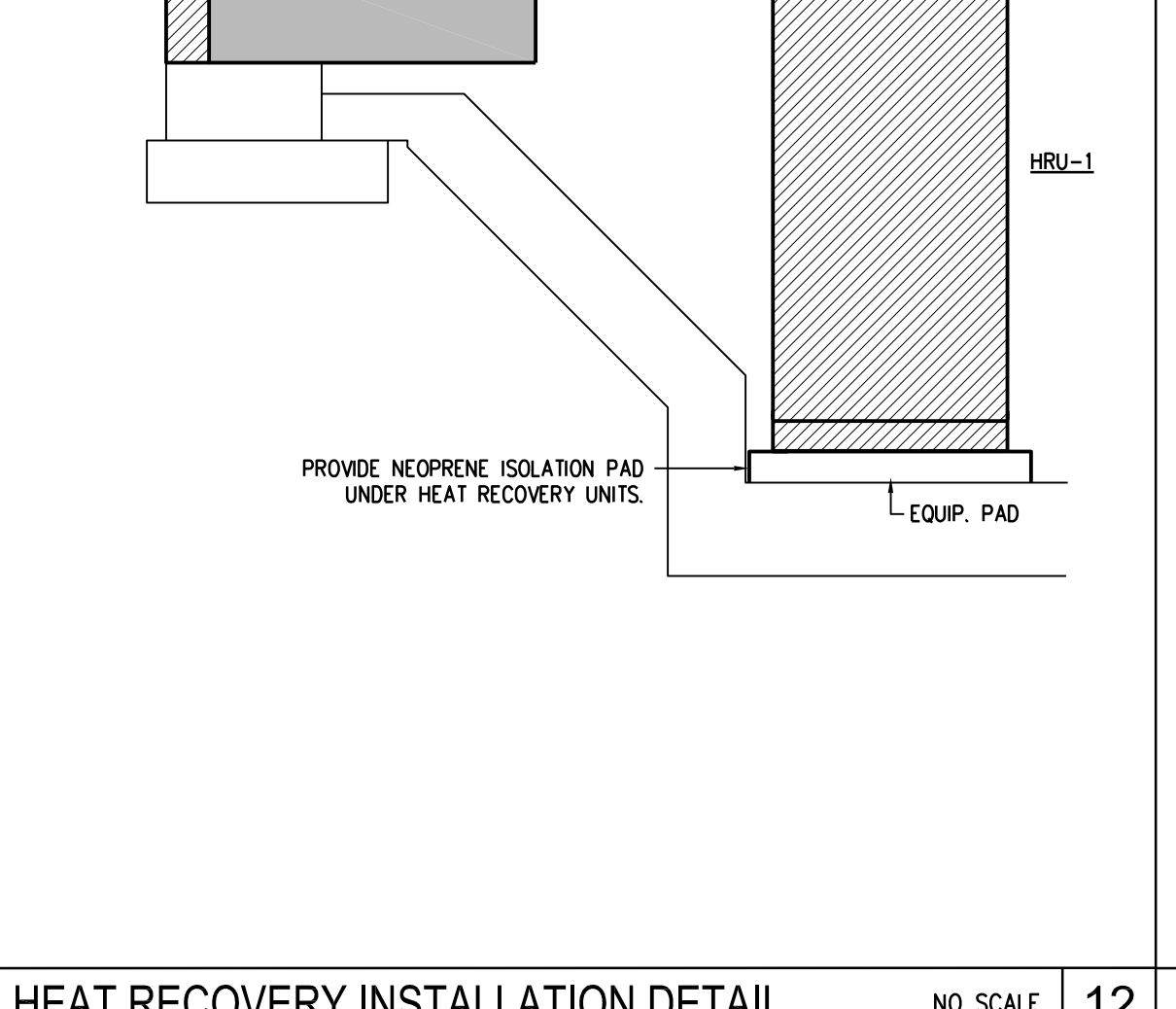
WATER SERVICE DETAIL NO SCALE 10



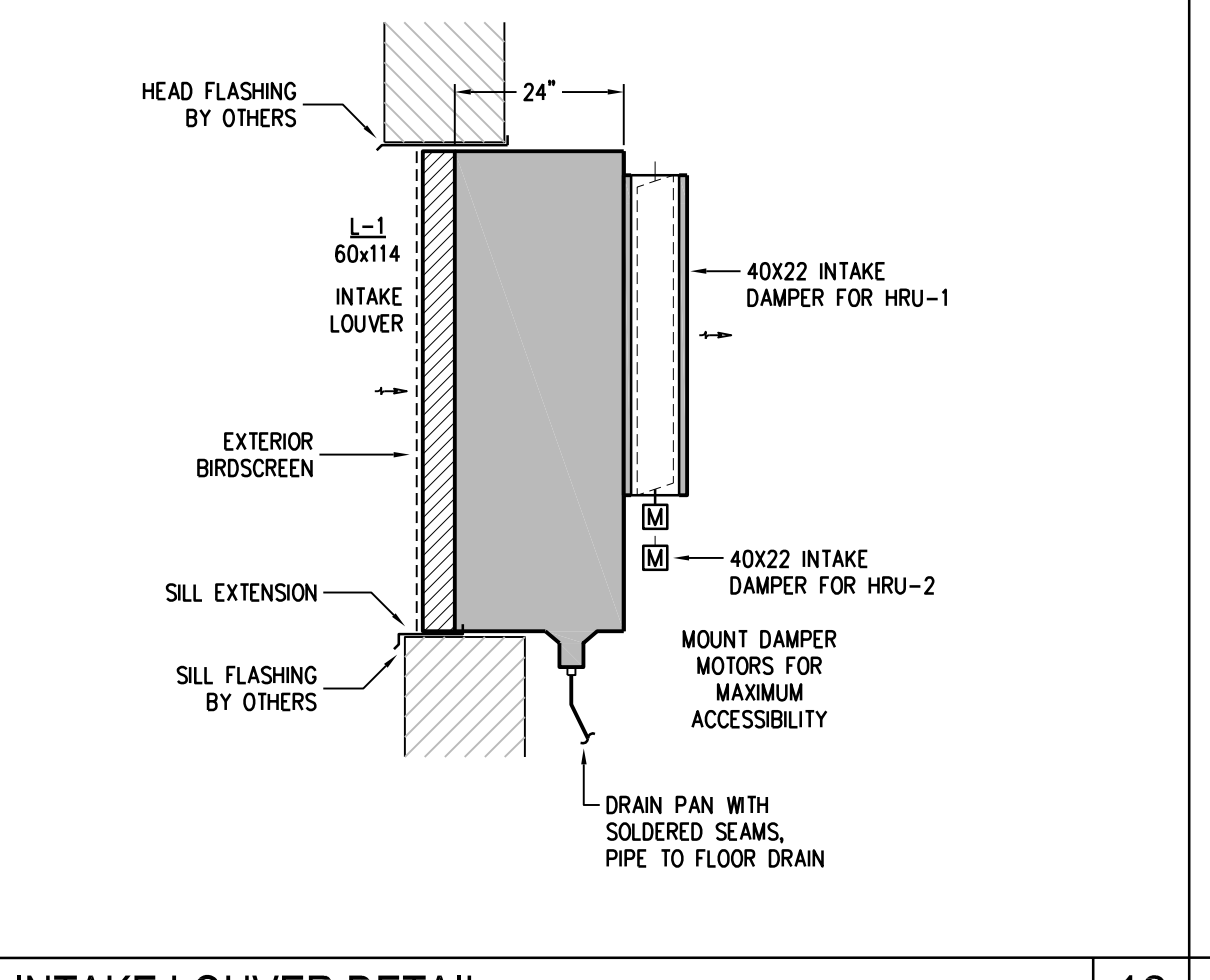
WATER HEATER DETAIL NO SCALE 11



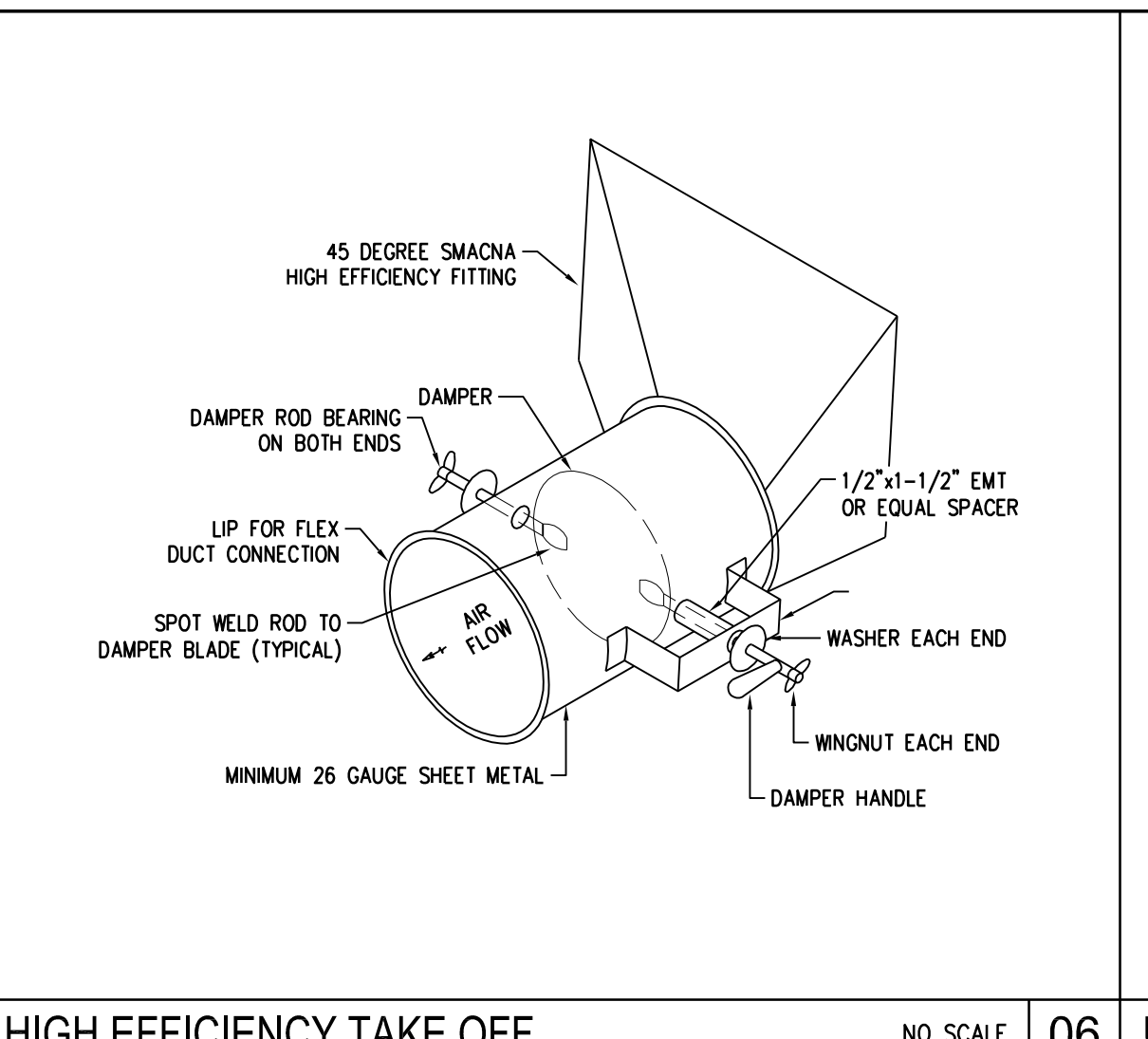
HEAT RECOVERY INSTALLATION DETAIL NO SCALE 12



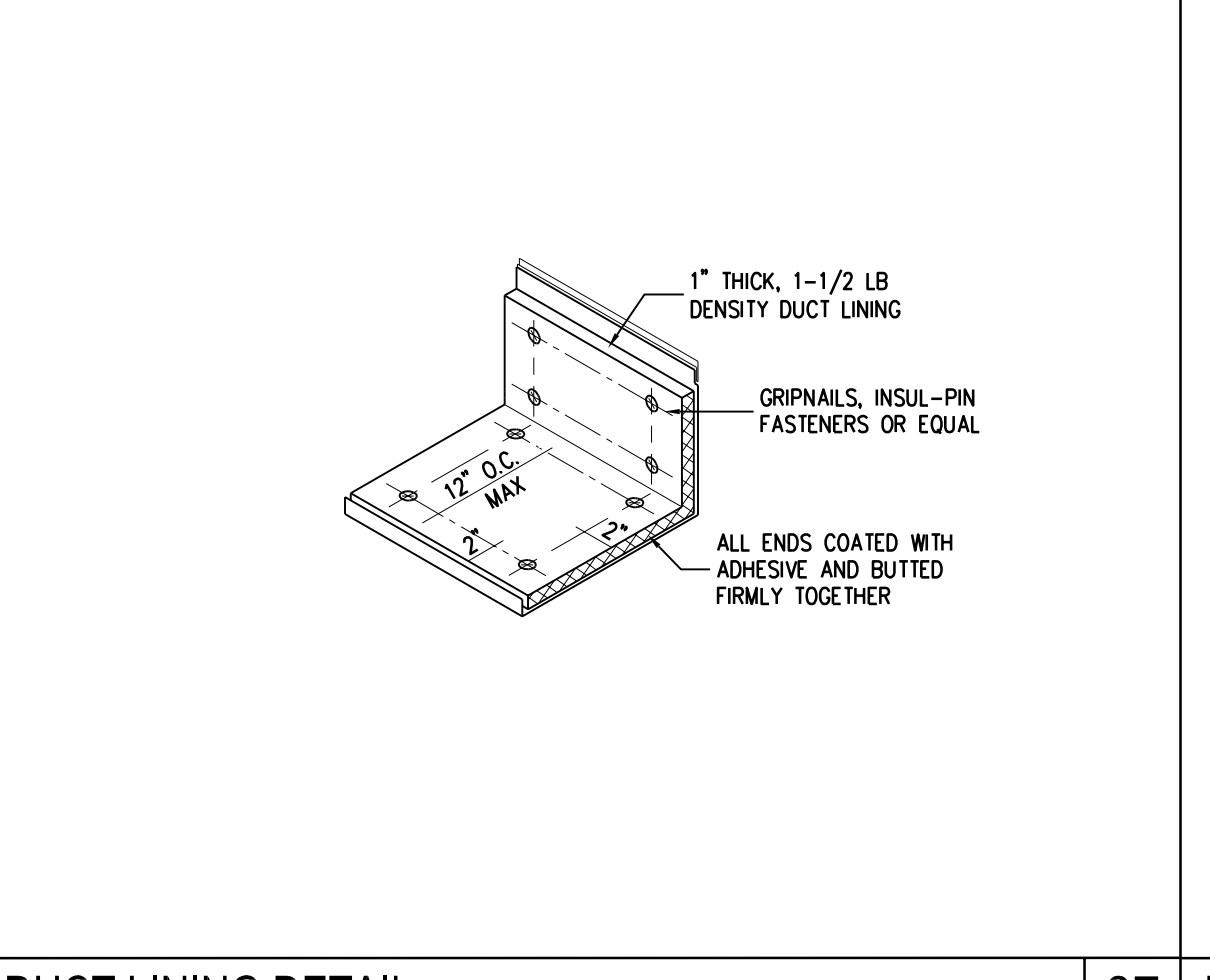
INTAKE LOUVER DETAIL NO SCALE 13



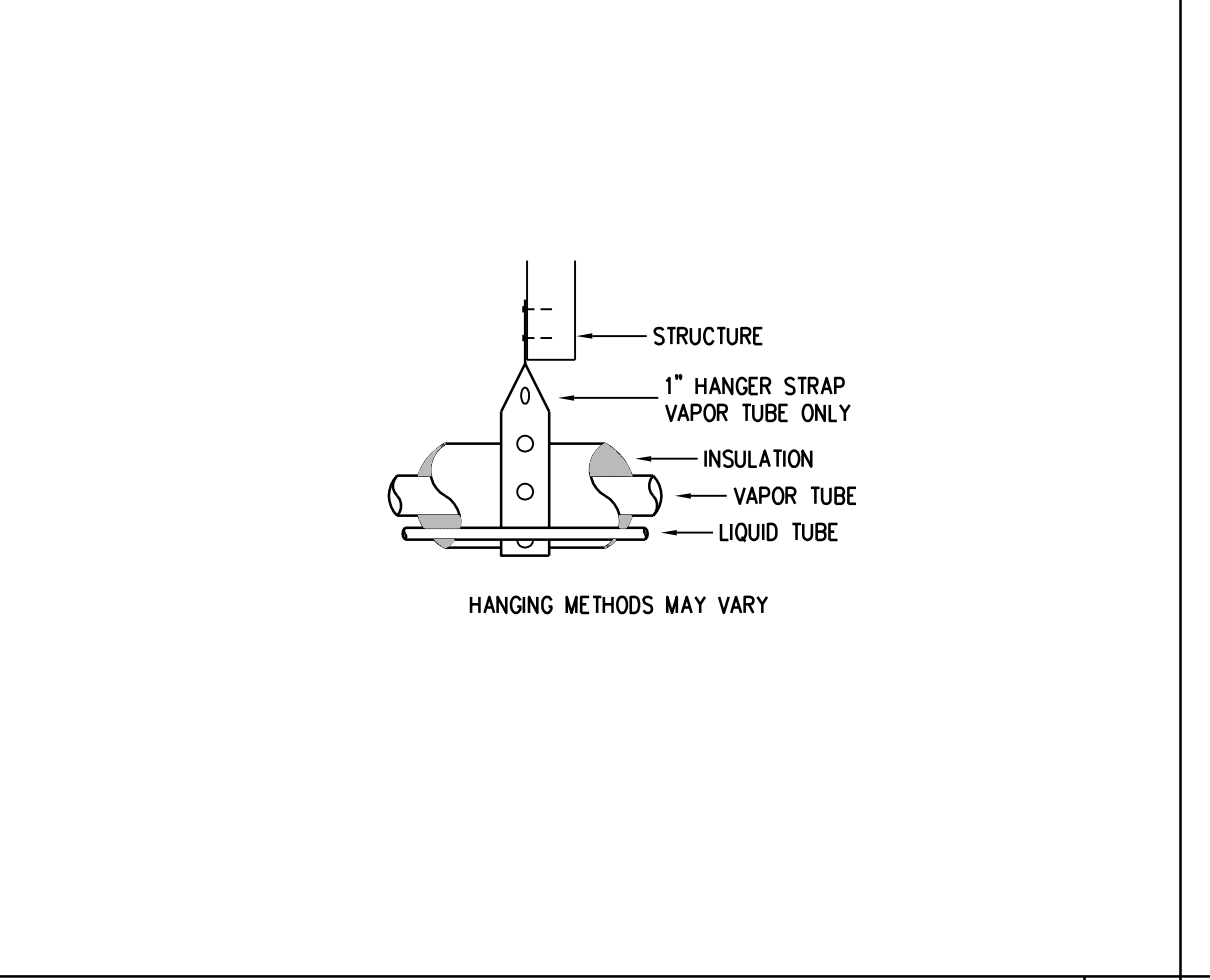
CONCEALED DUCT TAKE-OFF DETAIL NO SCALE 05



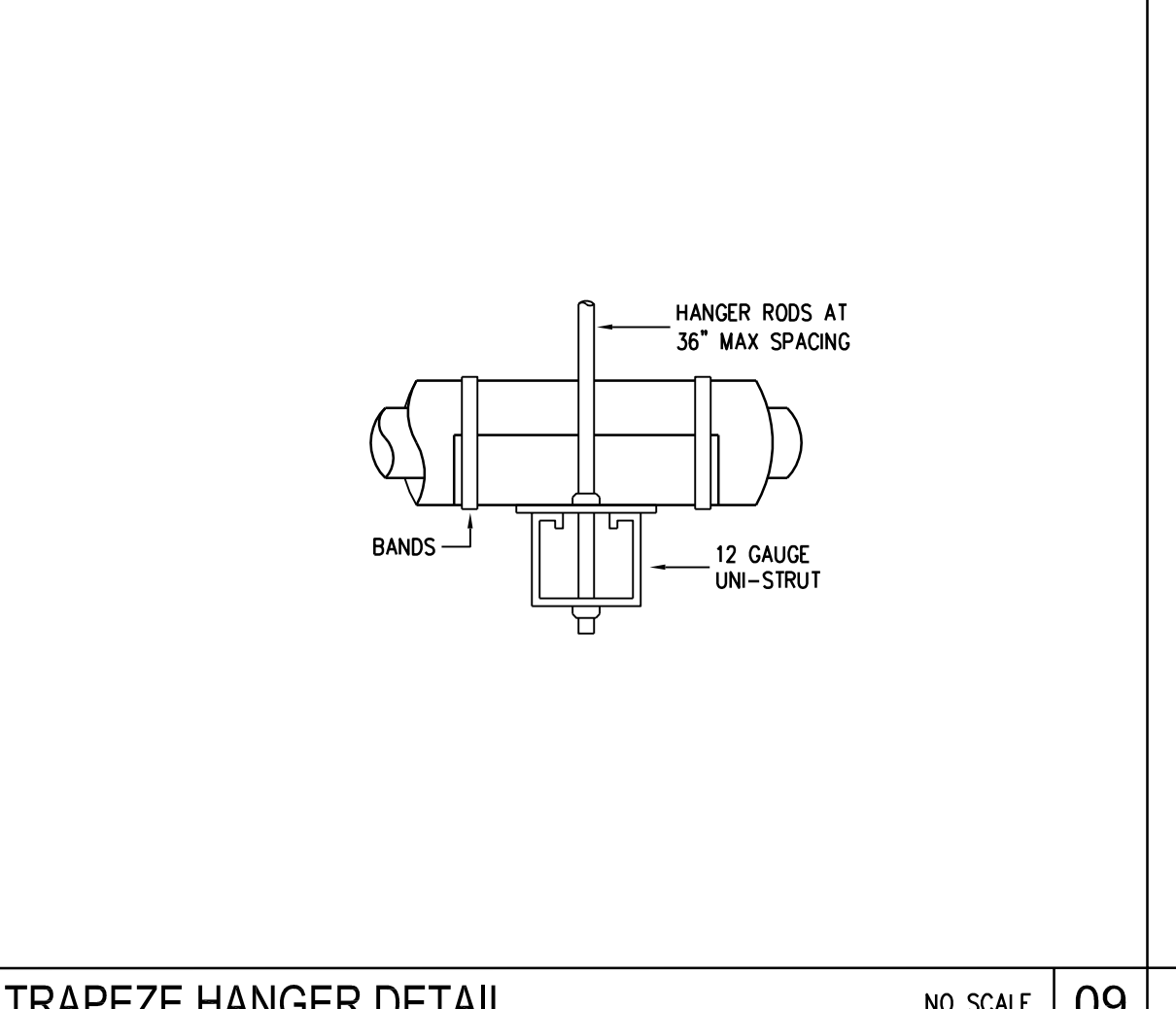
HIGH EFFICIENCY TAKE OFF NO SCALE 06



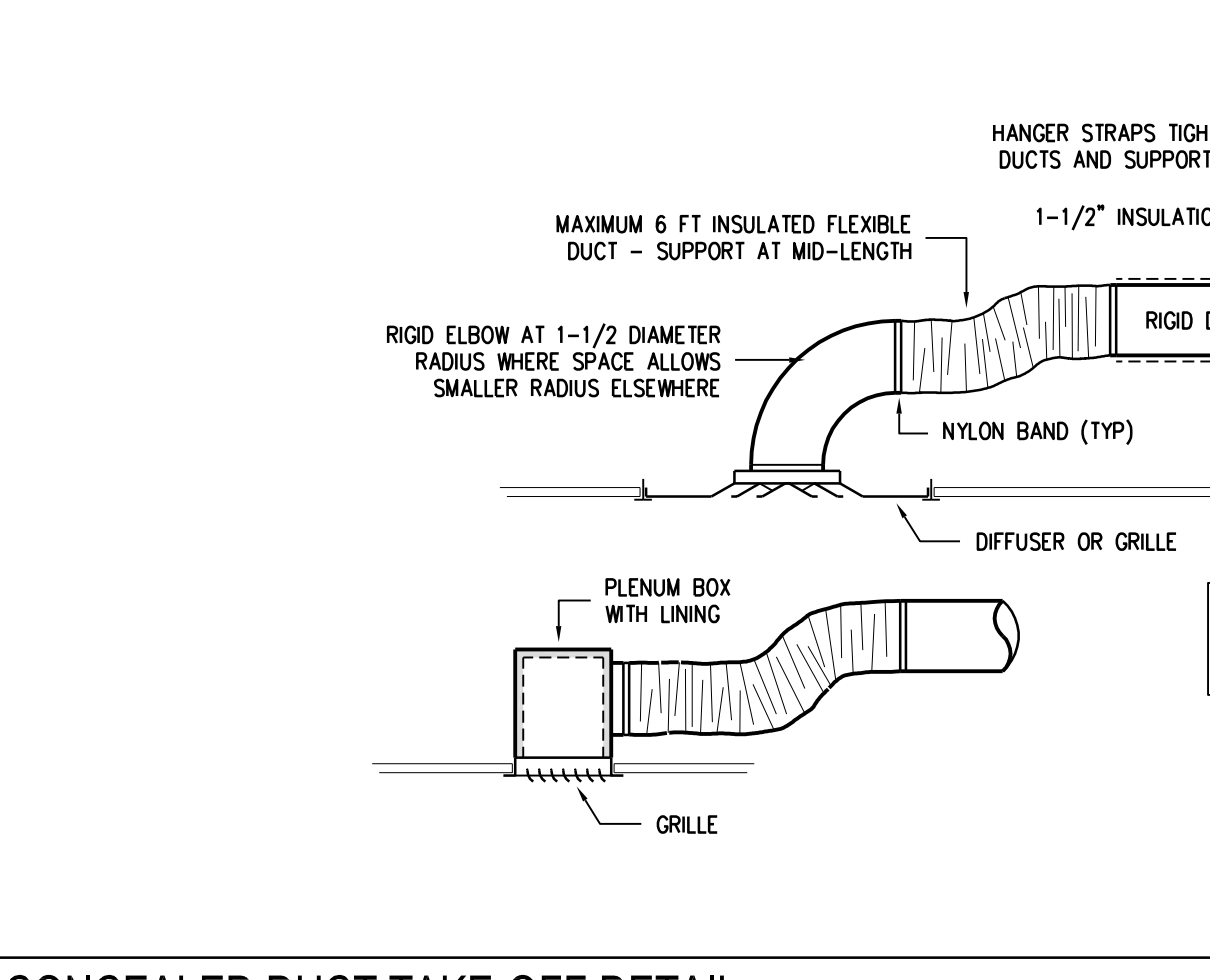
DUCT LINING DETAIL NO SCALE 07



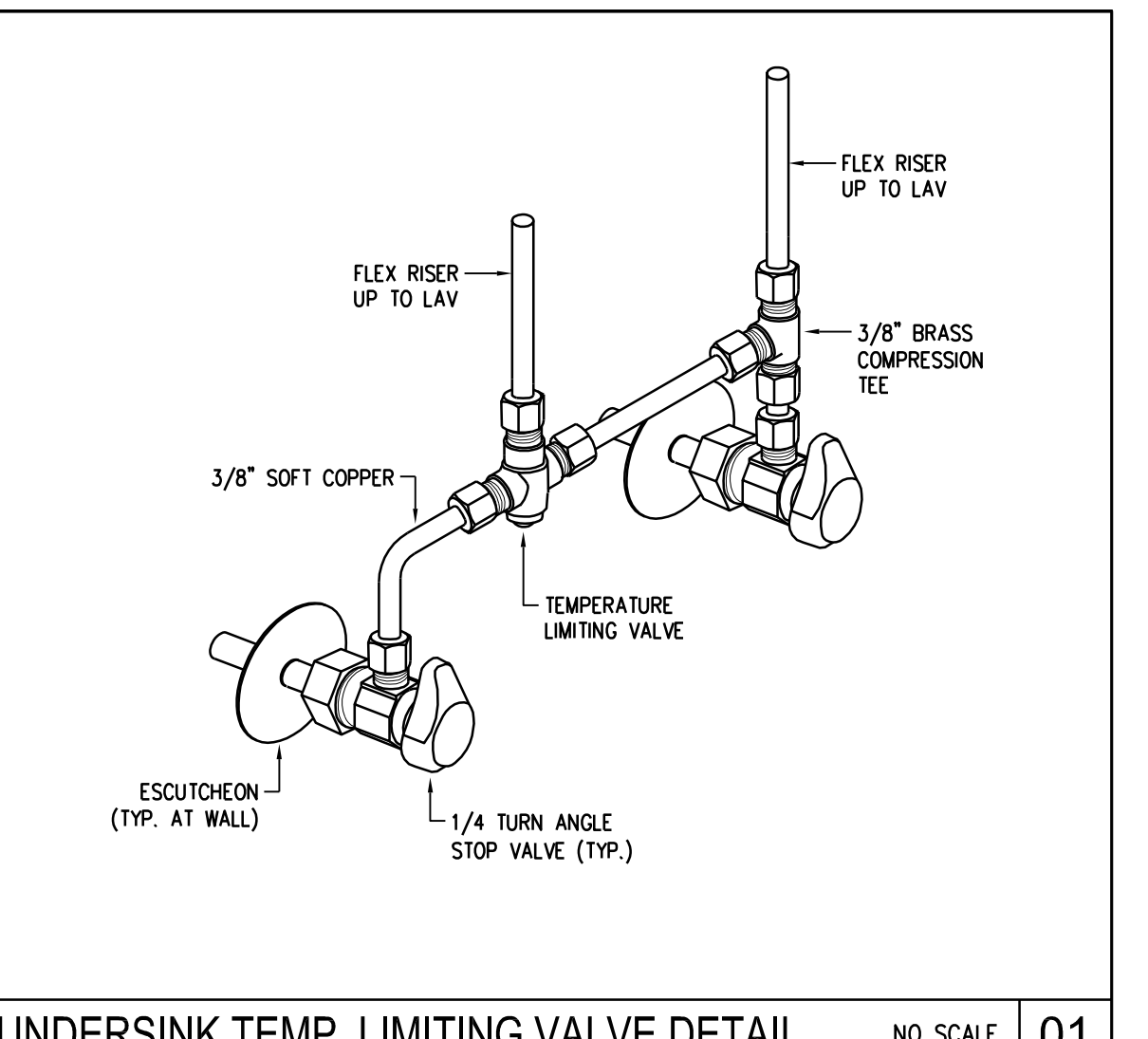
REFRIGERANT PIPING DETAIL NO SCALE 08



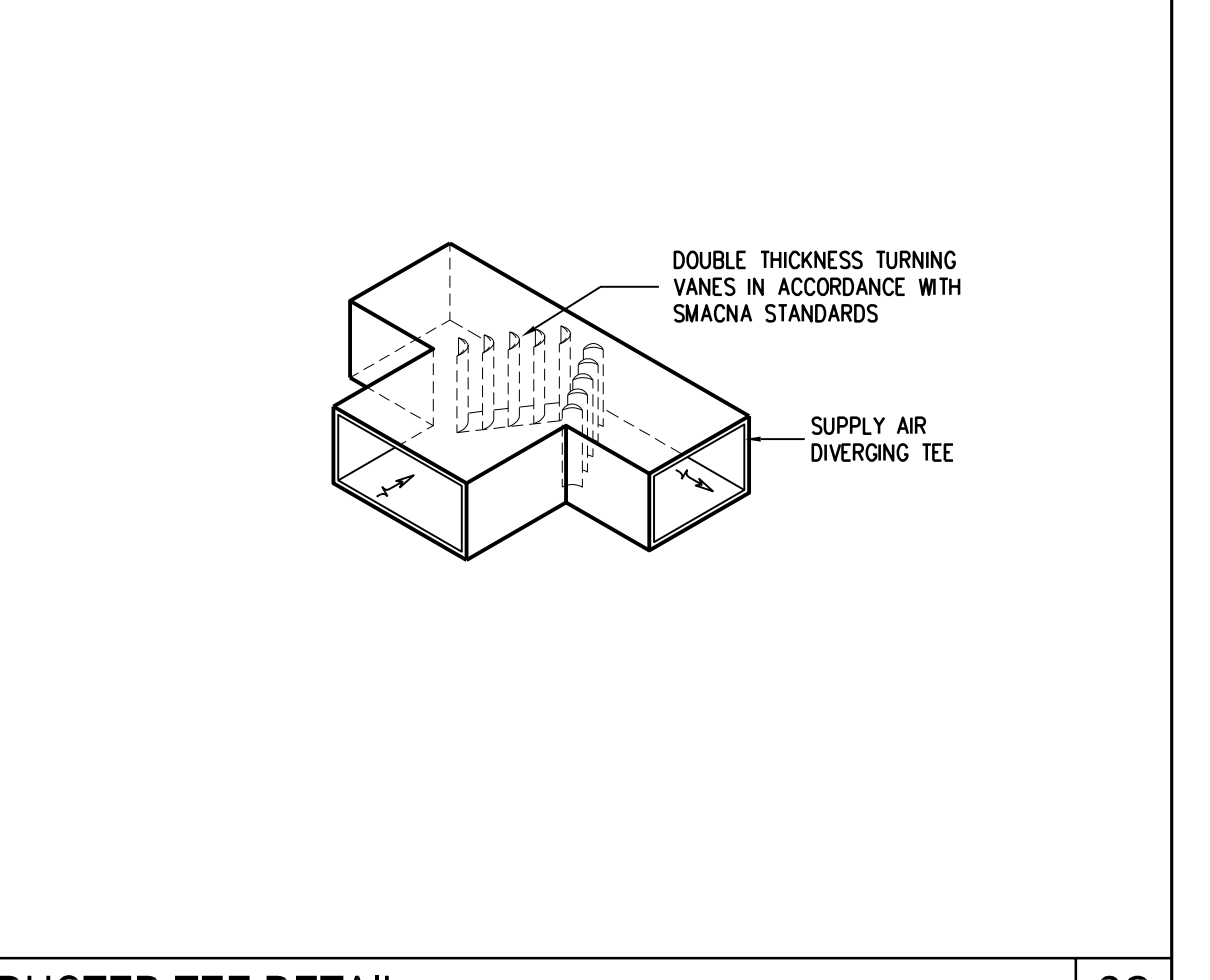
TRAPEZE HANGER DETAIL NO SCALE 09



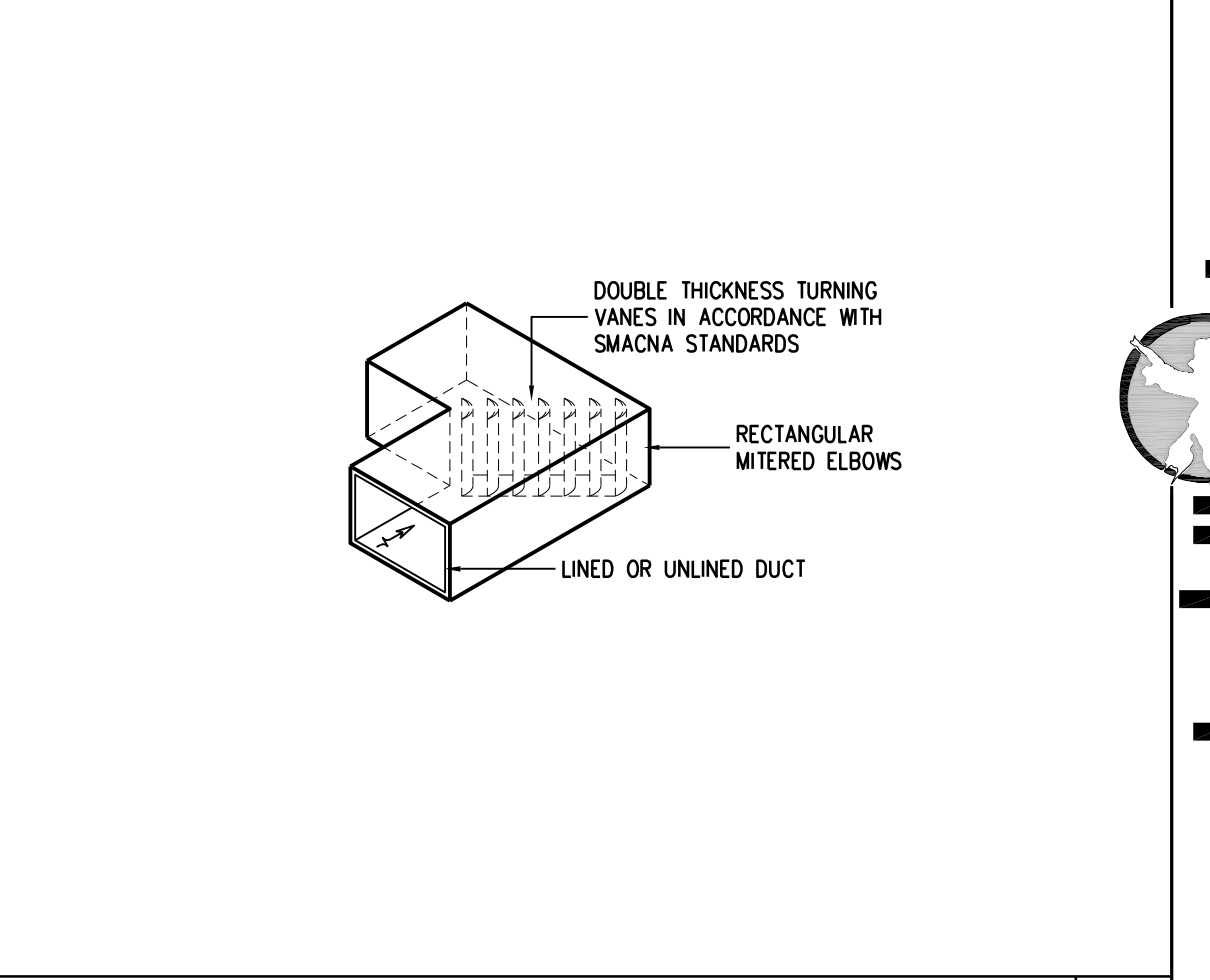
CONCEALED DUCT TAKE-OFF DETAIL NO SCALE 05



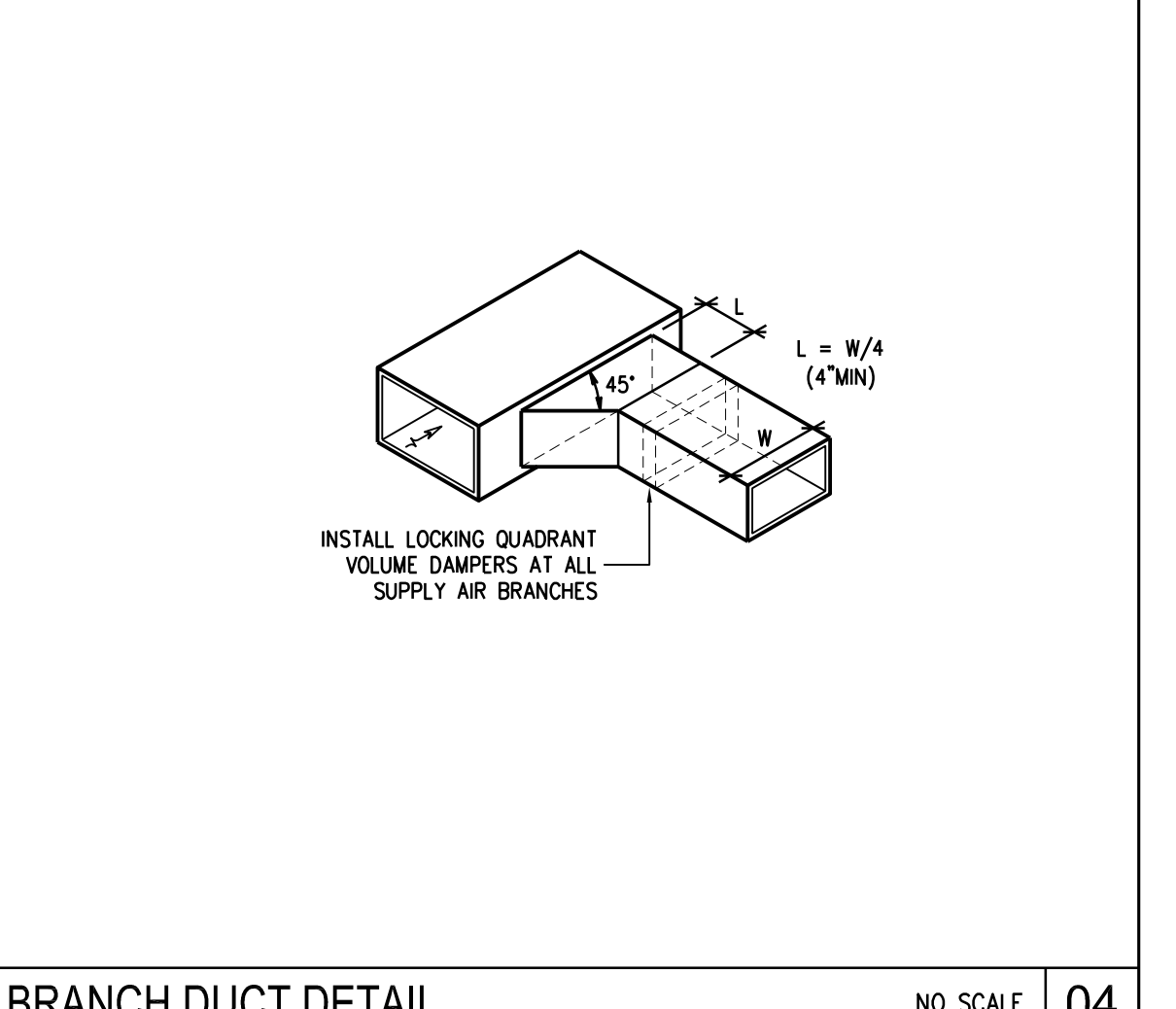
UNDERSINK TEMP. LIMITING VALVE DETAIL NO SCALE 01



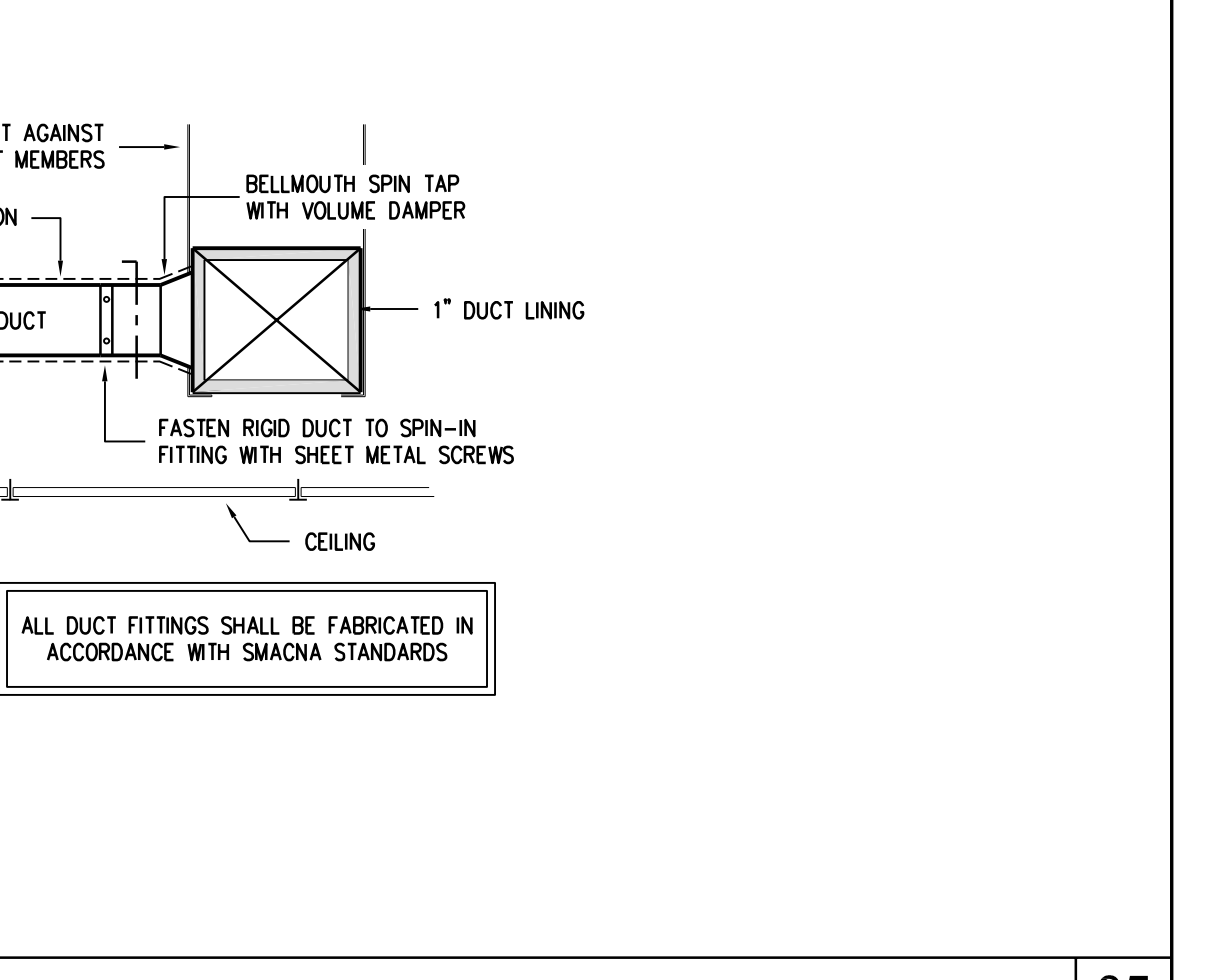
DUCTED TEE DETAIL NO SCALE 02



DUCT ELBOW DETAIL NO SCALE 03



BRANCH DUCT DETAIL NO SCALE 04



CONCEALED DUCT TAKE-OFF DETAIL NO SCALE 05

OLD STONEY REMODEL
 PHASE ONE
 108 NORTH 4TH STREET
 SUNDANCE WY, 82729

Stataline No. 7
 ARCHITECTS
 1607 CV Ave. Ste. 303
 Casper, WY 82604
 (307) 266-6033

Engineering
 Associates
 1607 CV Ave. Ste. 303
 Casper, WY 82604
 (307) 266-6033

PROJECT NUMBER
 16-022 / 17040

DATE
 11/20/2017

DRAWN BY
 AE/KRD

DISK ID.

SHEET TITLE
 PHASE 1
 DETAILS

SHEET NUMBER
 15.51