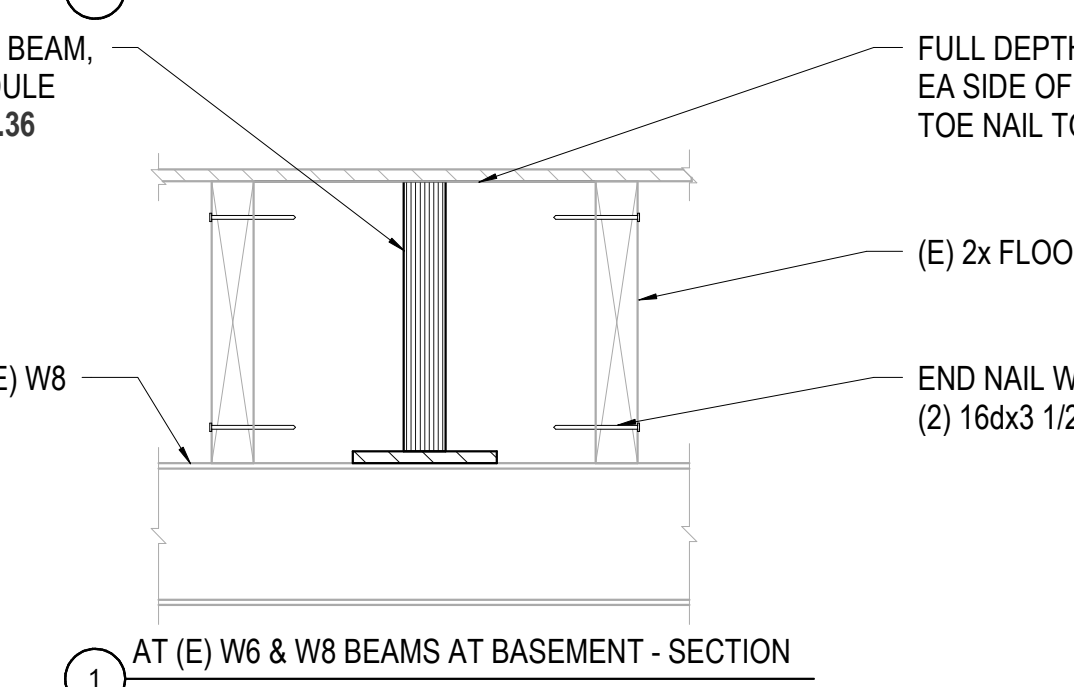
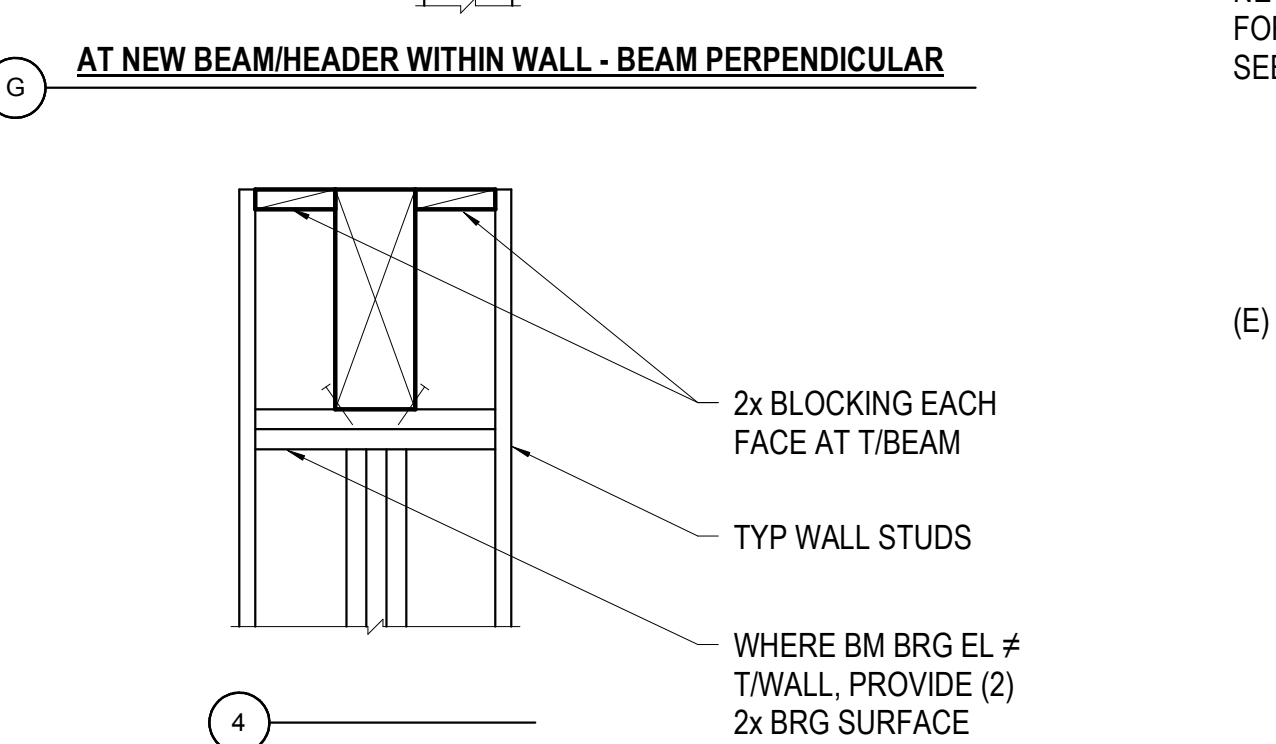
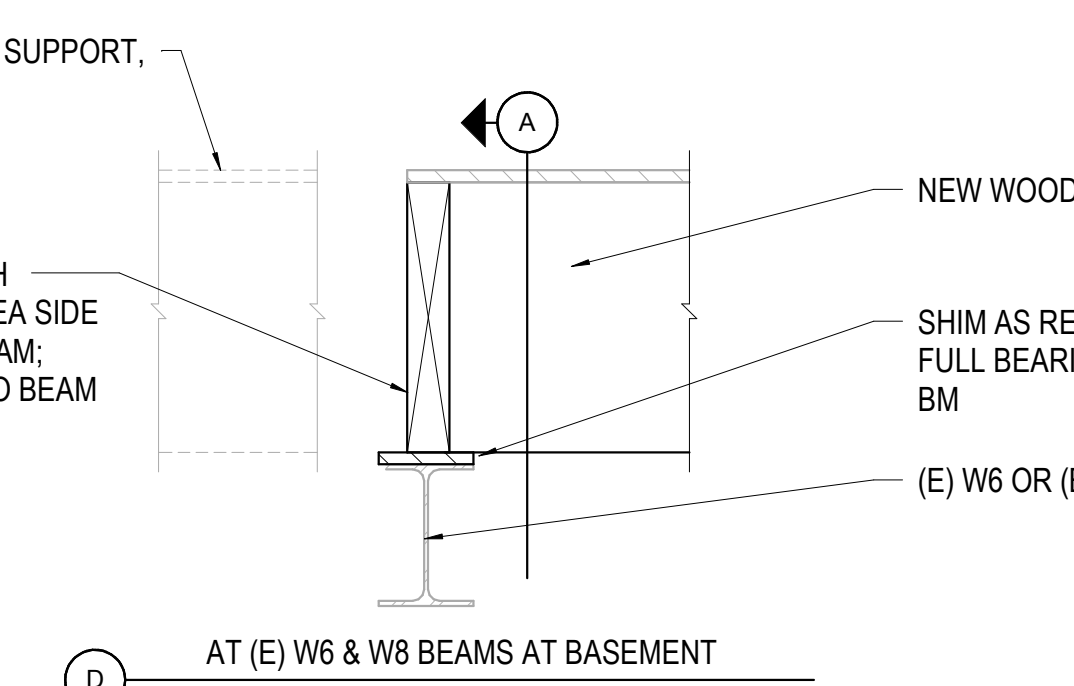
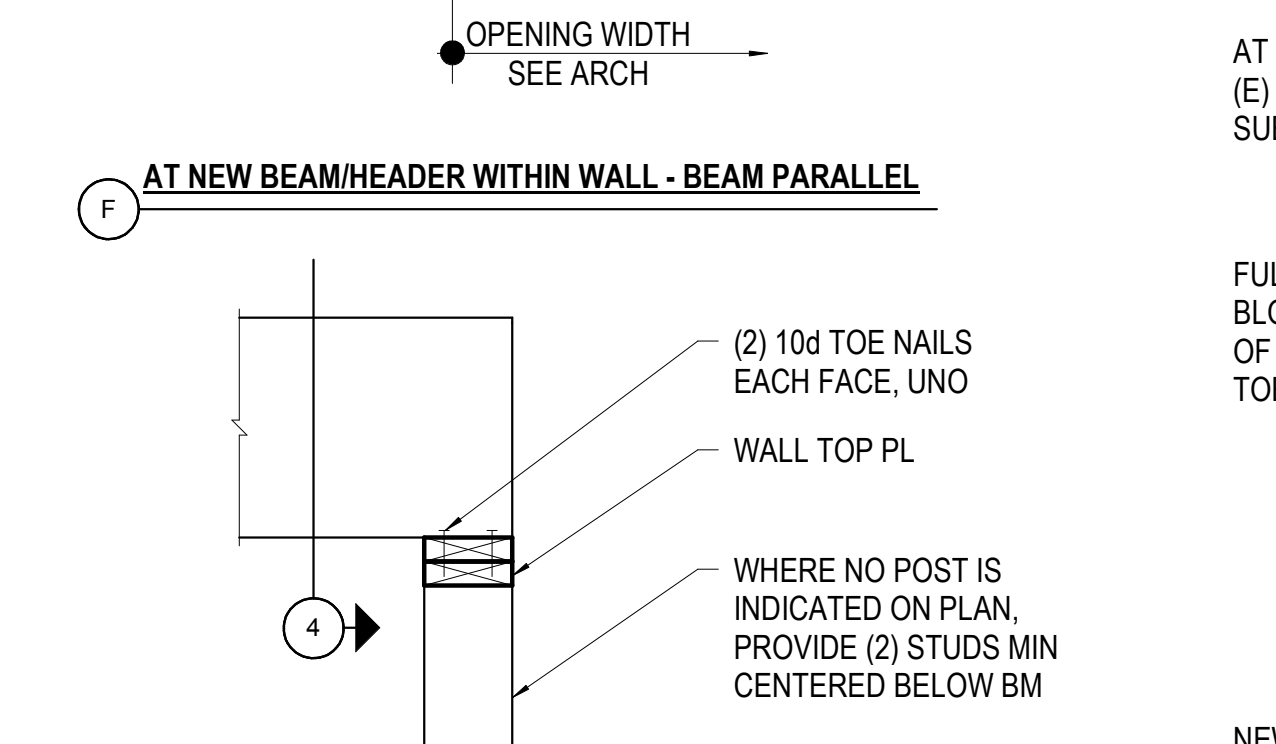
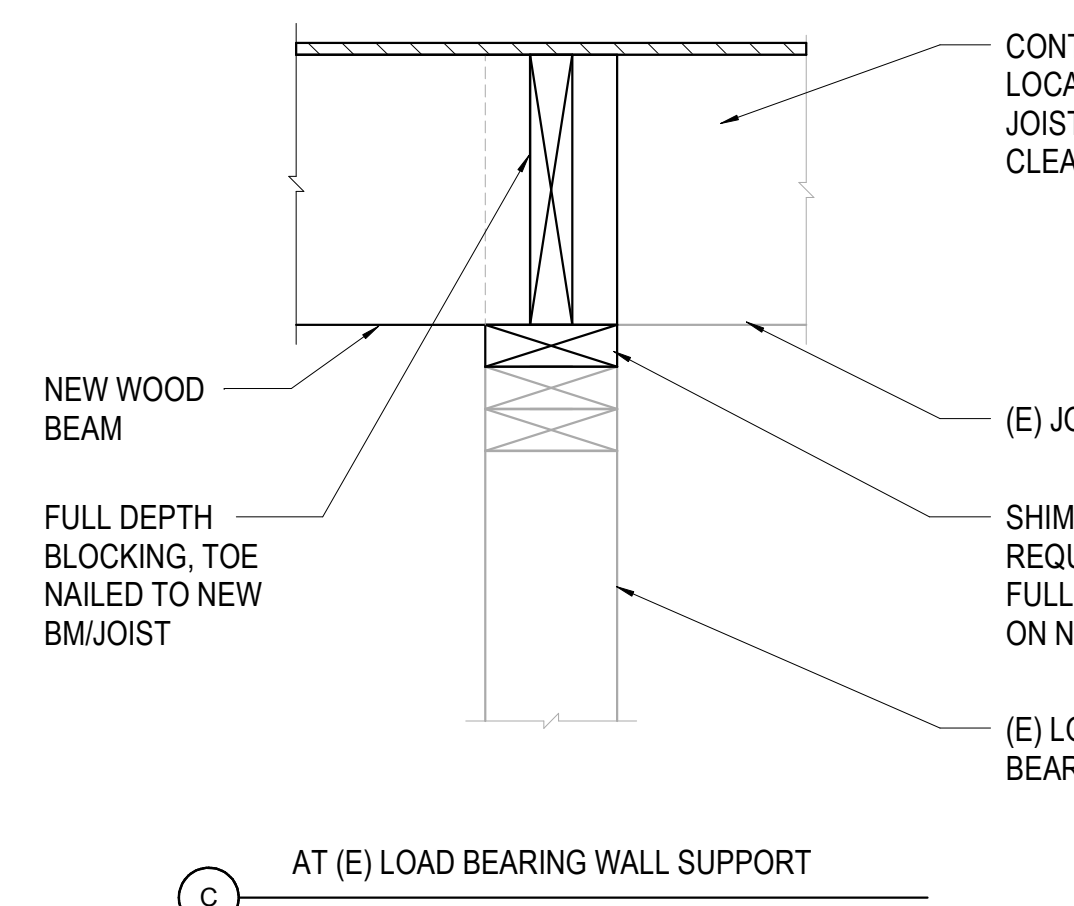
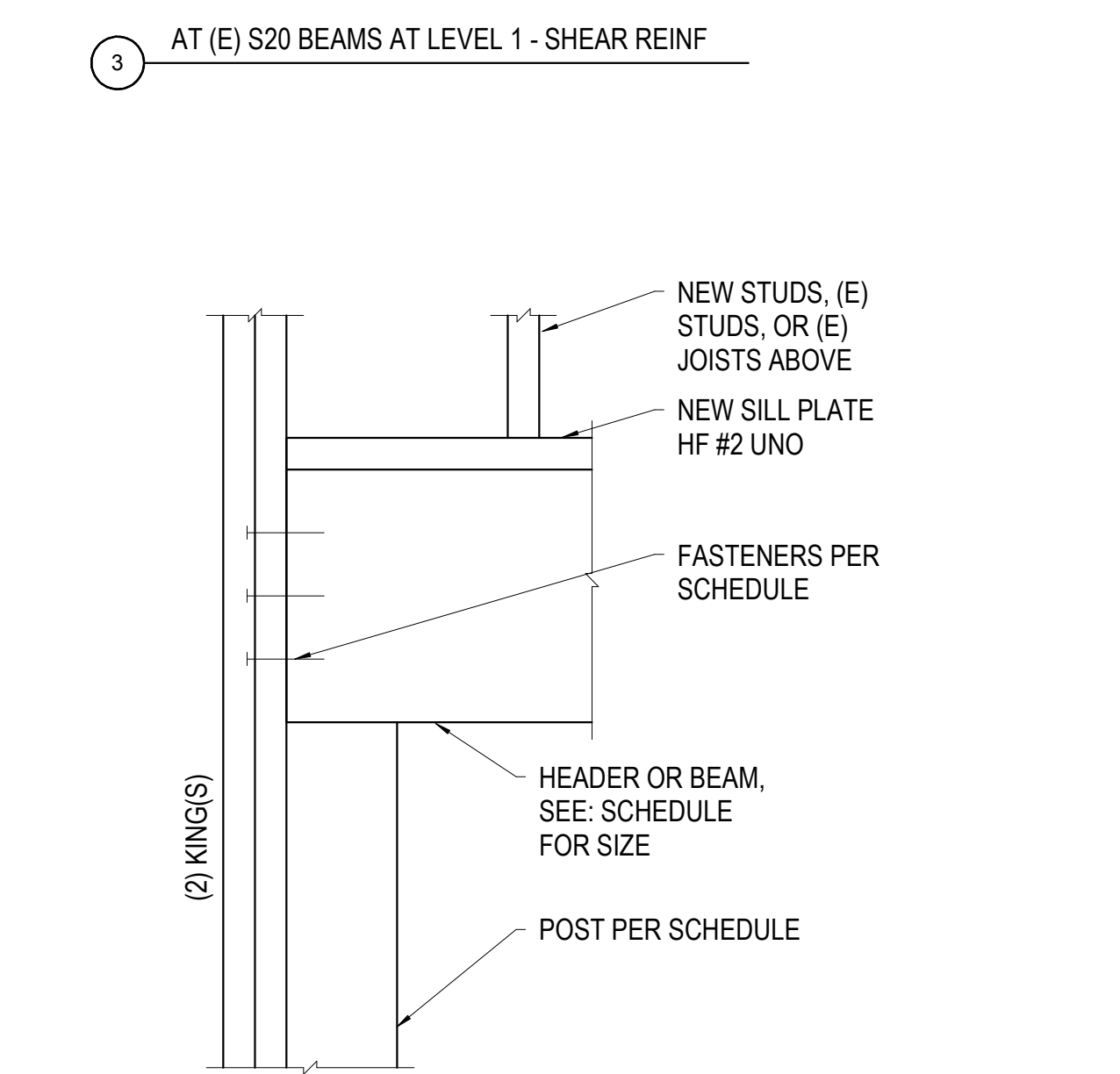
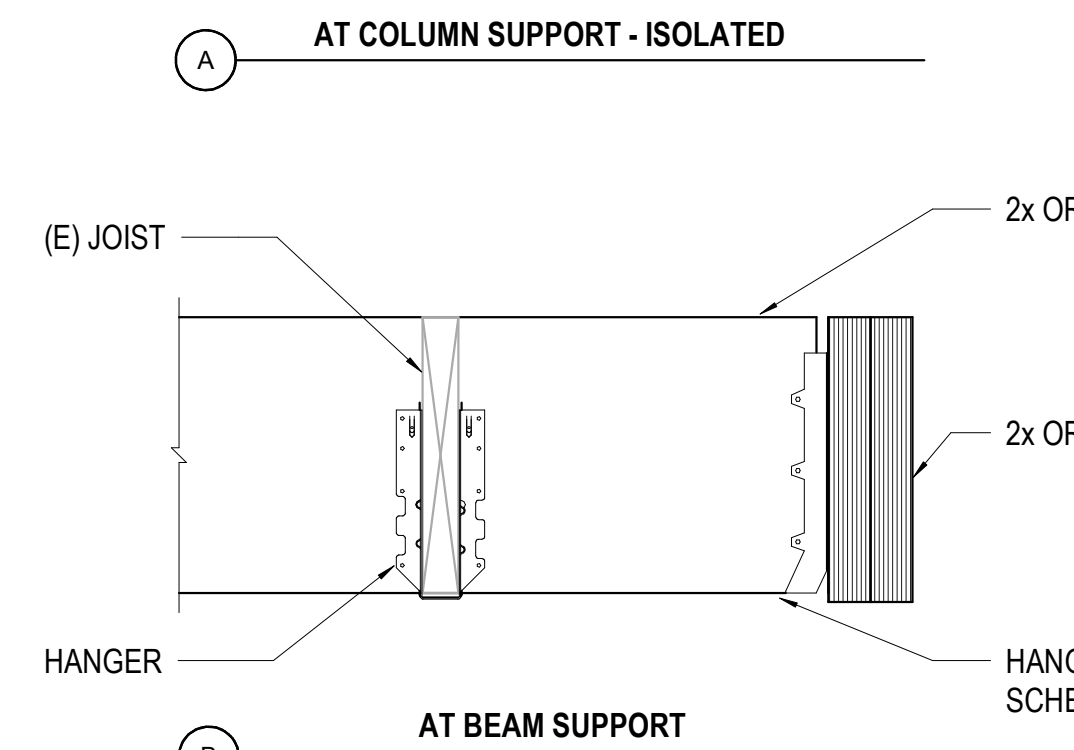
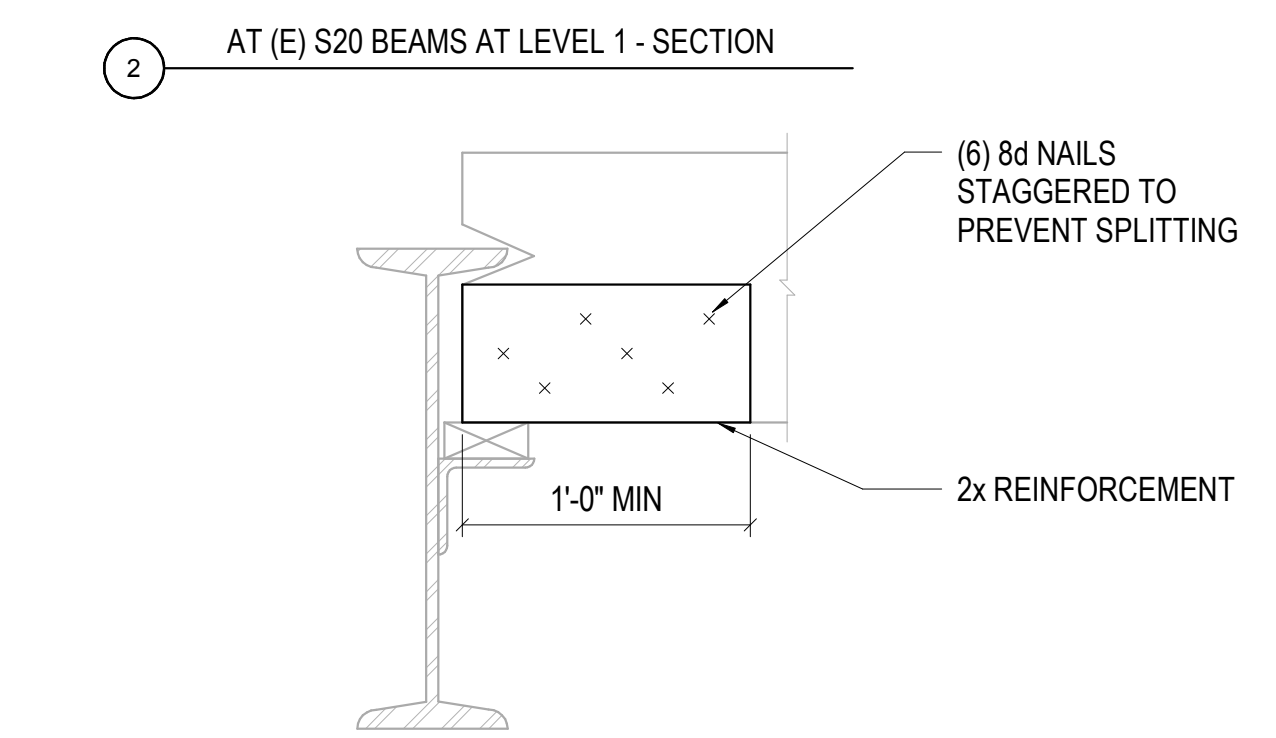
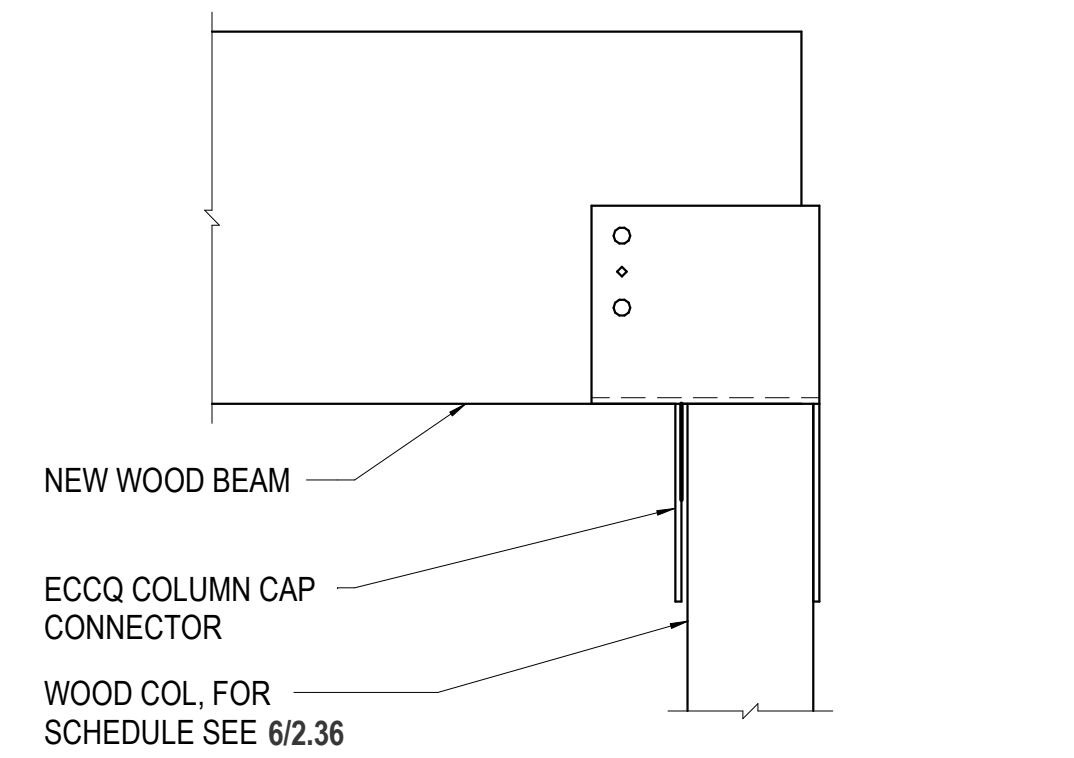
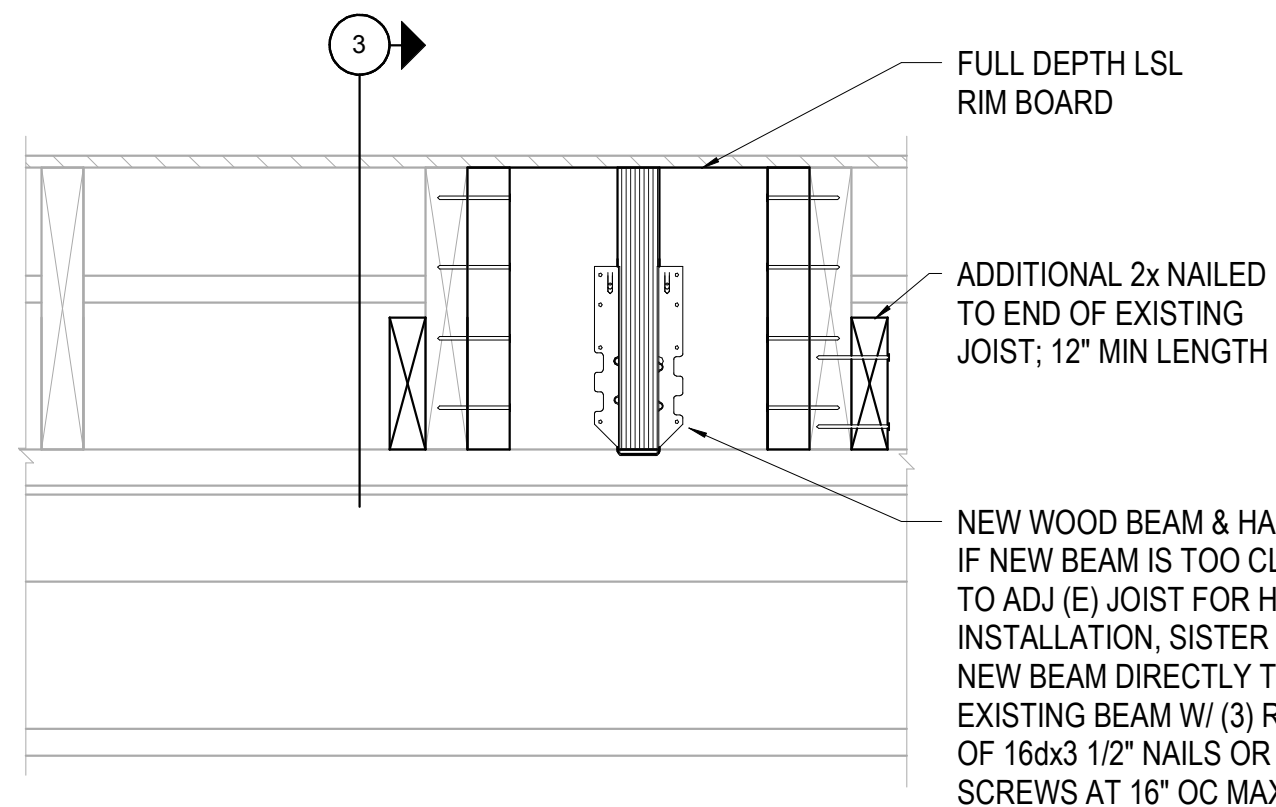


HANGER SCHEDULE	
CARRIED MEMBER	HANGER
(E) JOIST - 2x12"	U210R
(E) JOIST - 2x4 * A < LESS THAN 12"	U24R
2x12	LUS210
(2) 2x12	LUS210-2
1 PLY LVL	U14
(E) JOIST - GREATER THAN 2x12	CUSTOM U-R HANGER
2 PLY LVL	HHUS48
9 1/2" TJI	IUS1.81/9.5

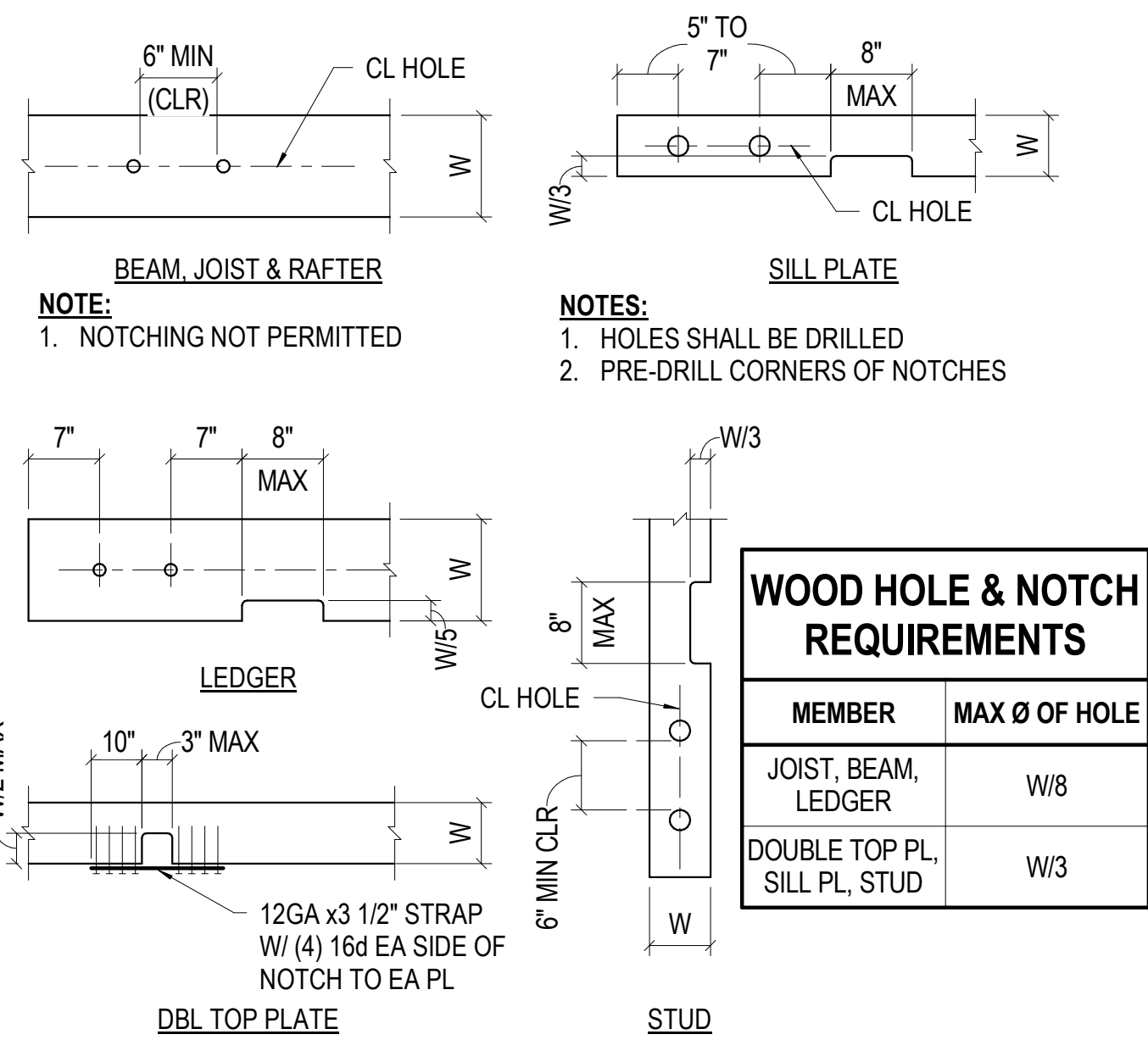
* CONTRACTOR TO VERIFY JOIST HANGER SPECIFIED FITS ACTUAL SIZES OF (E) ROUGH SAWN JOISTS. SIZES OUTSIDE OF SPECIFIED HANGER DIMENSION REQUIRE CUSTOM U-R HANGERS



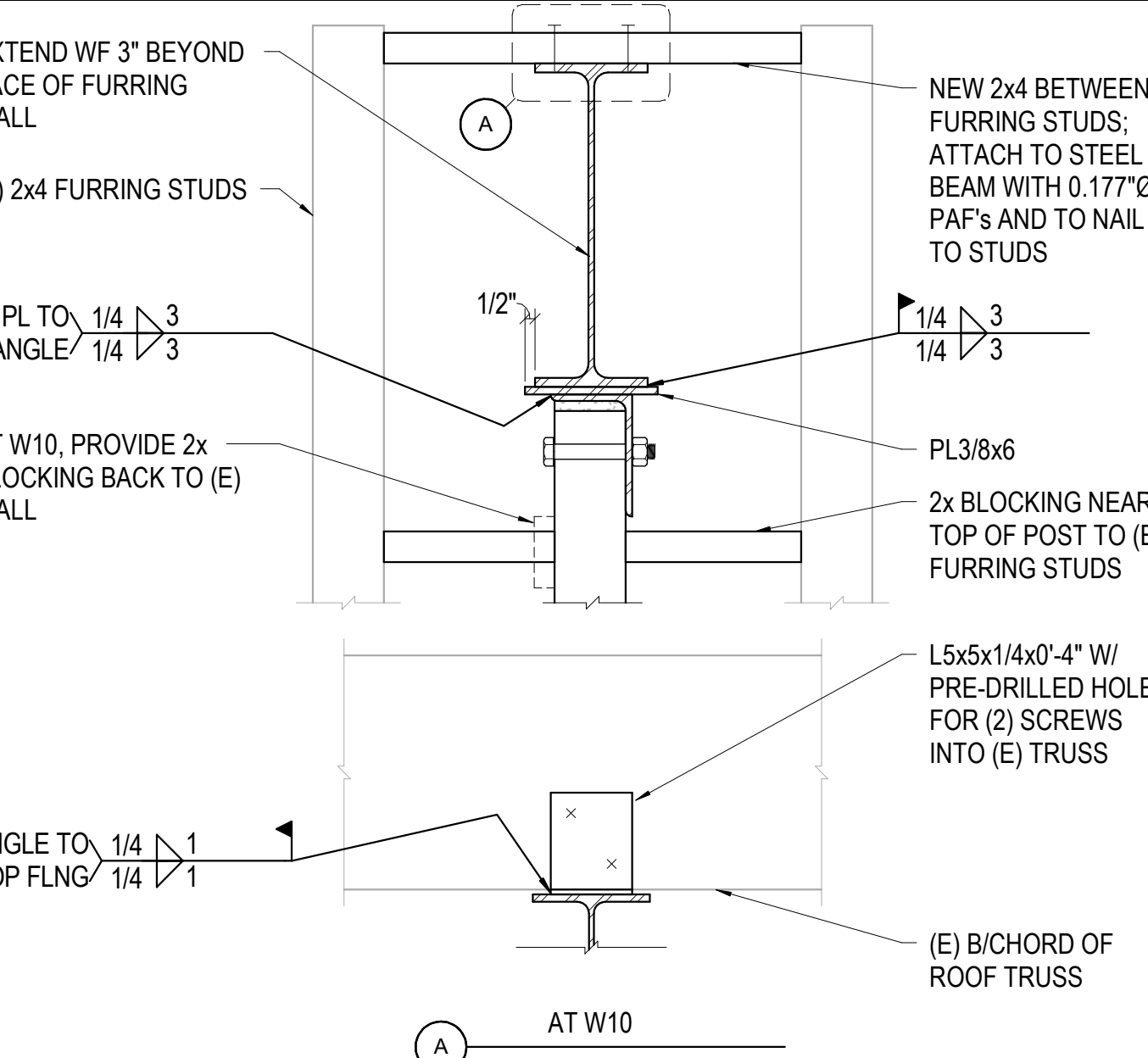
TYPICAL WOOD BEAM SCHEDULE		
MARK	SIZE	TYPE
WB1	(1) 1 3/4 x 11 1/4 LVL OR (2) 2x12	1.9E LVL (MIN) OR HEM FIR NO. 2
WB2	(2) 1 3/4 x 11 1/4 LVL OR 3 1/2 x 11 1/4 PSL	1.9E LVL (MIN) OR 2.2E PSL
WB3	(1) 1 3/4 x 11 1/4 LVL OR (1) 2x12	1.9E LVL (MIN) OR HEM FIR NO. 2
WB4	(2) 1 3/4 x 11 7/8 LVL	2.0E LVL
WB5	(2) 1 3/4 x 16 LVL	2.0E LVL
WB6	(3) 1 3/4 x 18 LVL	2.0E LVL
WB7	3 1/2 x 14 PSL	2.2E PSL
WB8	1 3/4 x 16 LVL	2.0E LVL

NOTES:
 1. ALL BEAMS ARE SIMPLE SPAN, UNO
 2. SEE 20/2.36 FOR ATTACHMENT TO SUPPORTING MEMBERS
 3. BEAMS HAVE BEEN SIZED TO FIT WITHIN STRUCTURE DEPTH (WHERE APPLICABLE/REQUIRED ARCHITECTURALLY). DEEPER/LARGER SIZES ARE ACCEPTABLE IF THEY ARE MORE ECONOMICAL AND FIT WITHIN THE ALLOTTED SPACE TO KEEP THE INTENT AESTHETICALLY. CONTRACTOR TO COORDINATE WITH ARCH/MEP
 4. MULTI-PLY ENGINEERED MEMBERS TO BE FASTENED TOGETHER PER MANUFACTURER'S INSTRUCTIONS. MULTI-PLY LUMBER TO BE FASTENED TOGETHER WITH (3) ROWS OF 16d NAILS AT 16\"/>

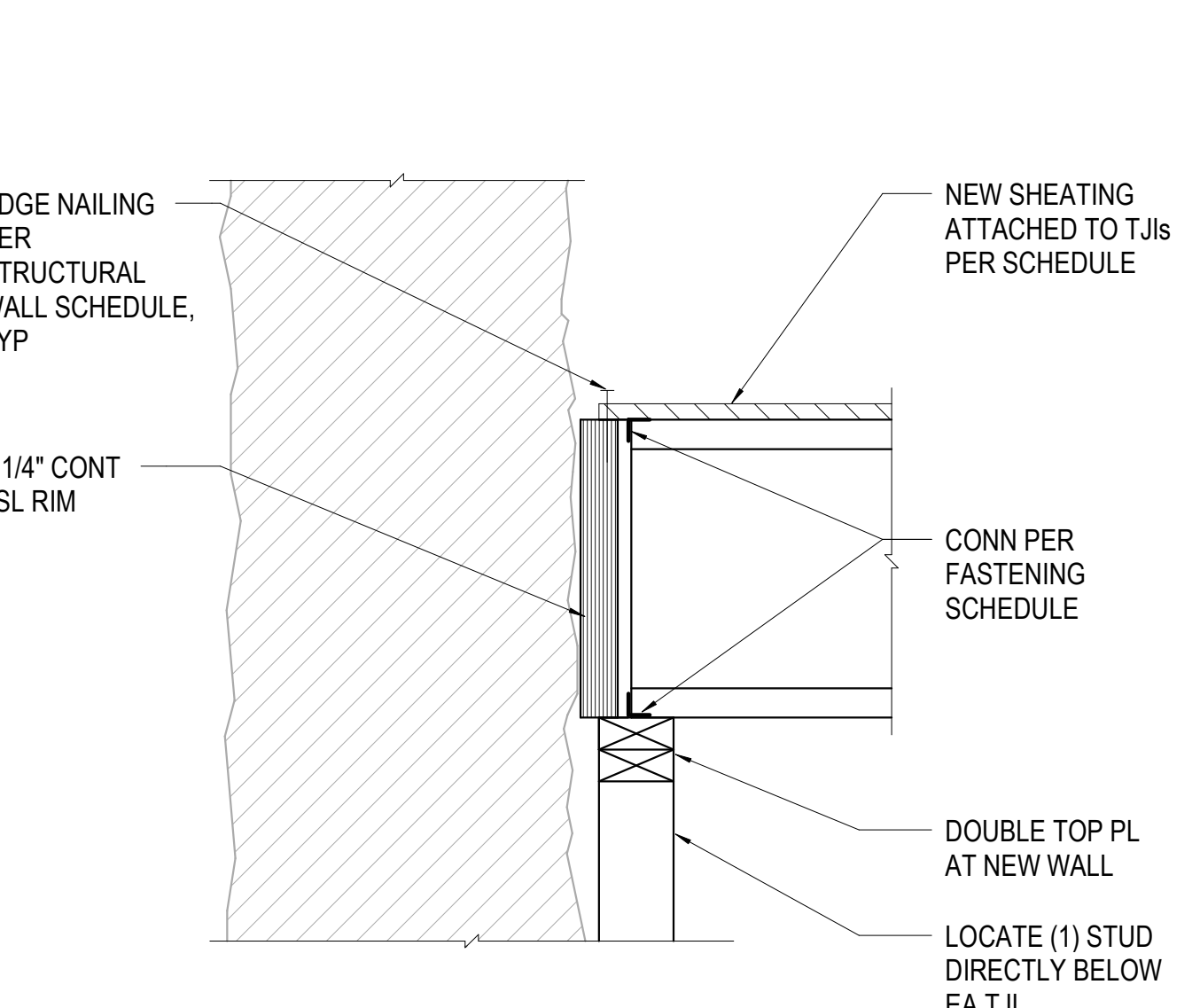
9 NO SCALE TYP WOOD BEAM SCHEDULE



10 NO SCALE TYP WOOD HOLE & NOTCH REQTS

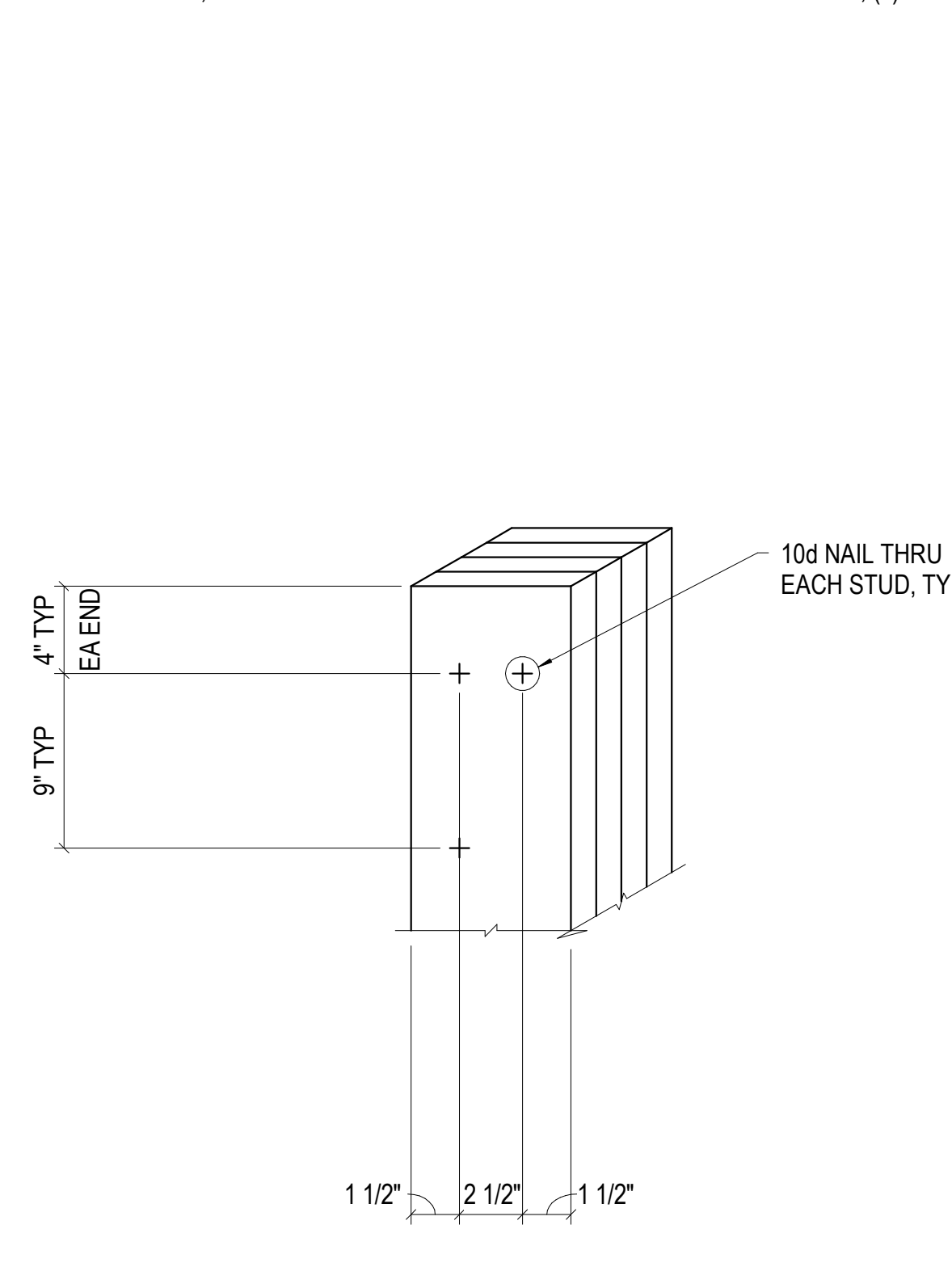


11 NO SCALE POST AT PARTITION SUPPORT BEAM

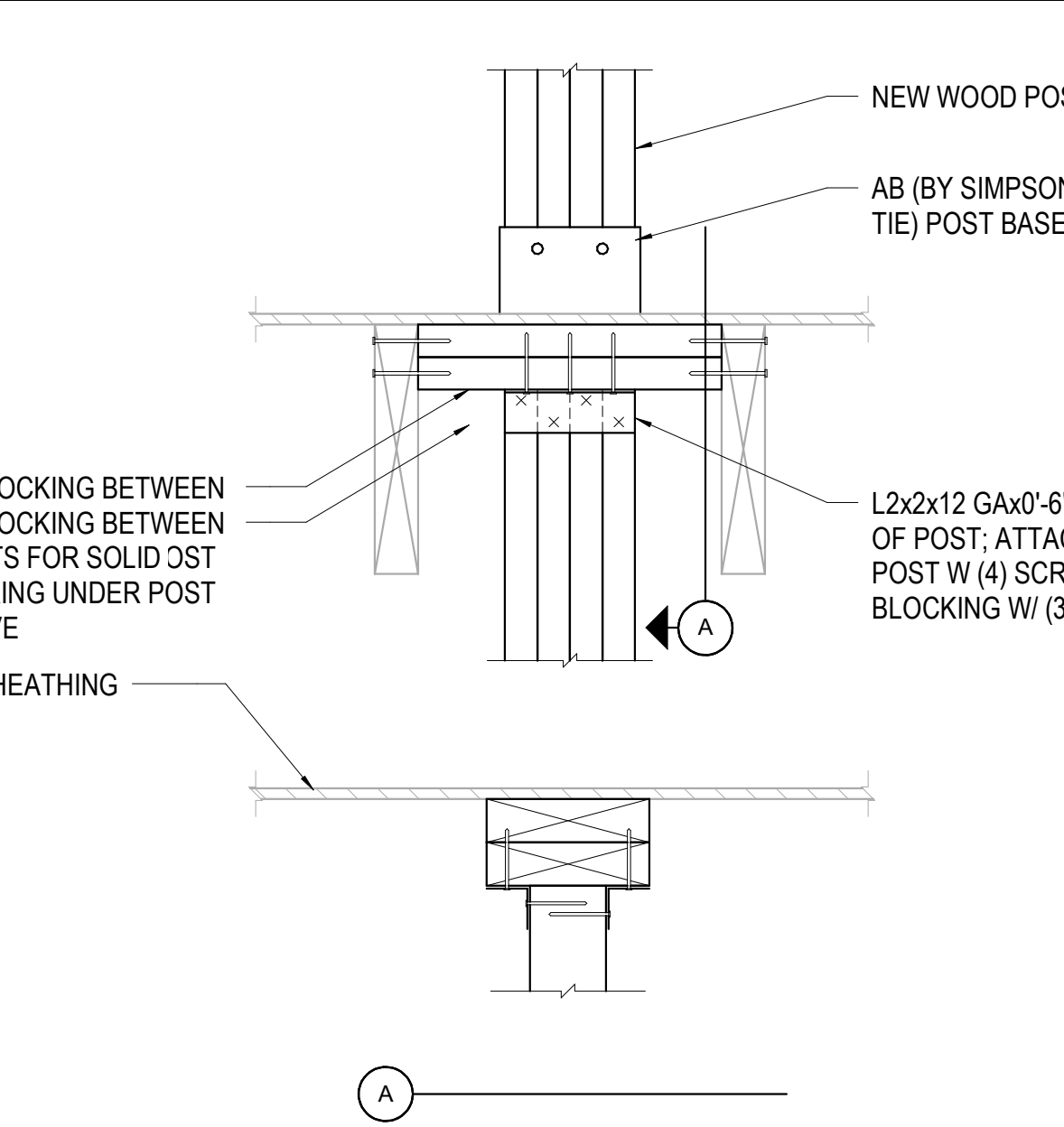


POST AND COLUMN SCHEDULE			
MARK	SIZE	TYPE	REMARKS
WC1	3 1/2 x 5 1/4 PSL OR (3) 2x6	1.8E PARALLAM PSL HEM-FIR STUD	-
WC2	5 1/4 x 5 1/4 PSL OR (4) 2x6	1.8E PARALLAM PSL HEM-FIR SELECT STRUCTURAL	-
WC3	(3) 2x6	HF#2	-
WC4	(2) 2x4	HF#2	-

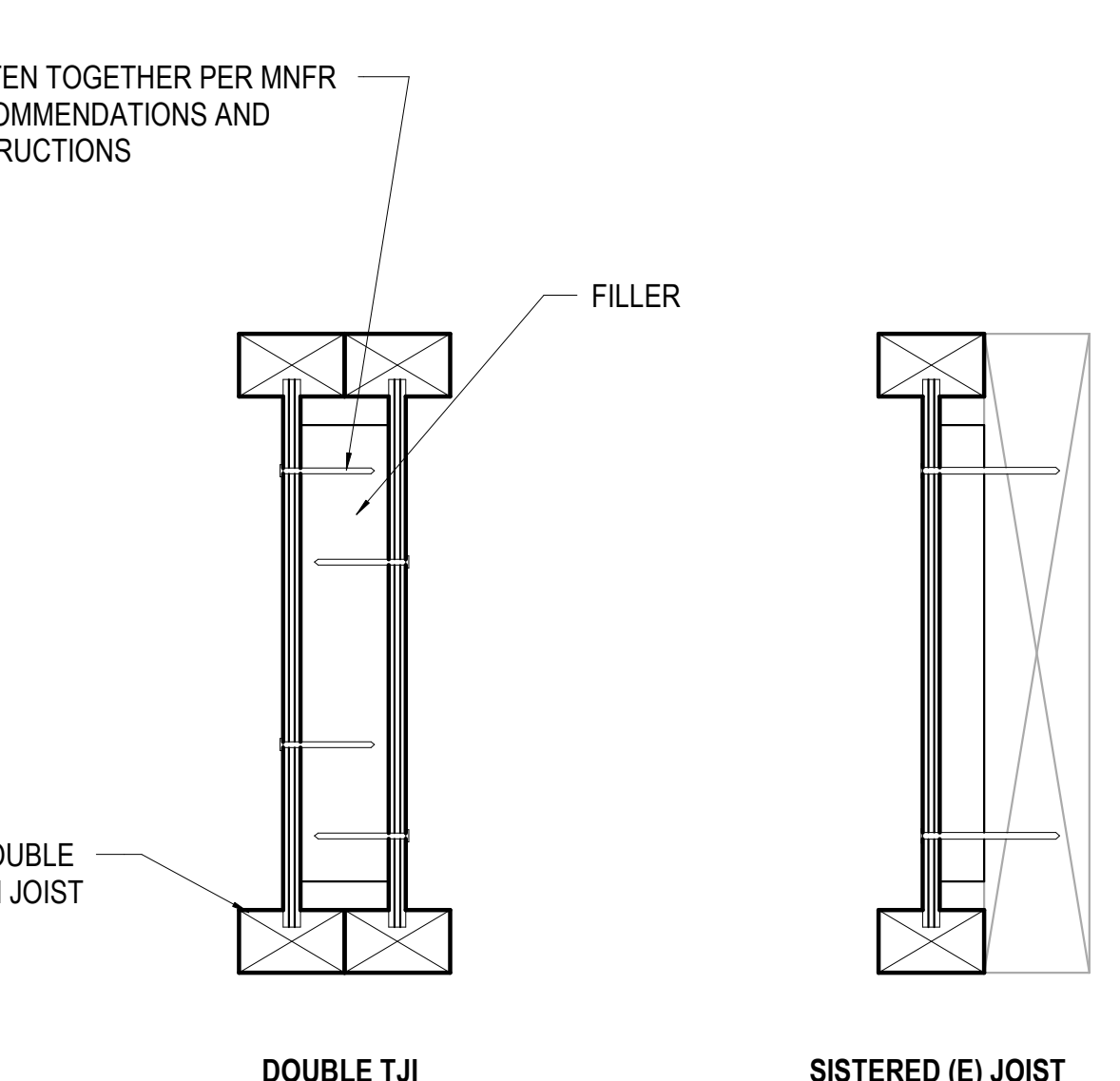
NOTES:
 1. PROVIDE A MINIMUM OF (2) STUDS AT EACH BEAM SUPPORT IF NO POST IS DESIGNATED.
 2. ALL MULTIPLE STUD POSTS SHALL BE NAILED TOGETHER AS SHOWN IN DIAGRAM BELOW.
 3. WHERE NAILS ARE USED, EACH ADDITIONAL STUD IS NAILED TO REMAINDER OF STUD PACK SHOWN BELOW.
 4. AT BASE CONNECTIONS, USE ABA OR ABU (BY SIMPSON STRONG-TIE) UNLESS DETAILED OR NOTED OTHERWISE. WHEN ATTACHING TO CONCRETE, USE SCREW ANCHOR OR EPOXY, EMBEDDED 2 1/4\"/>



6 NO SCALE TYP WOOD POST SCHEDULE



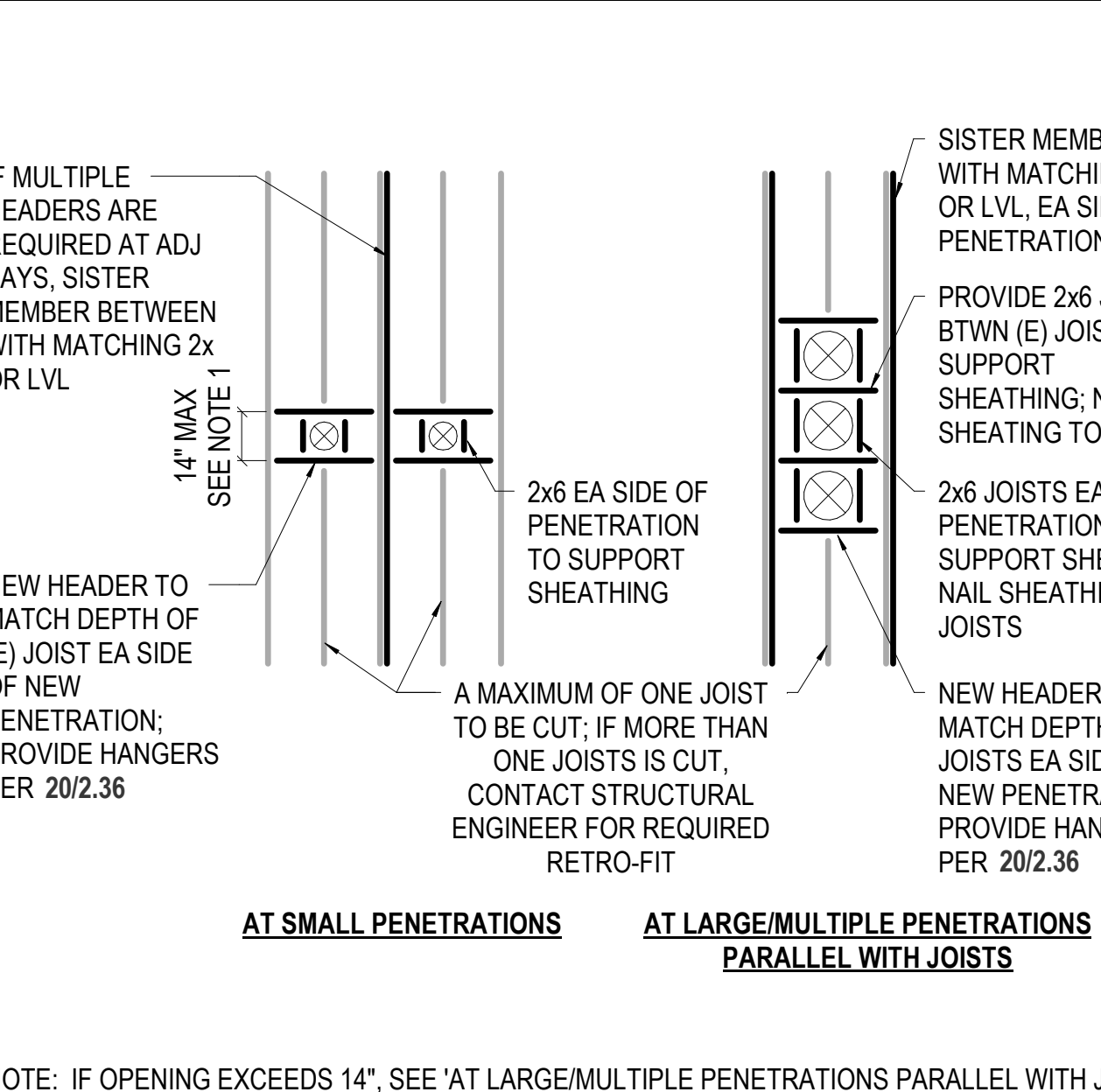
7 NO SCALE COLUMN TRANSFER AT FLOOR



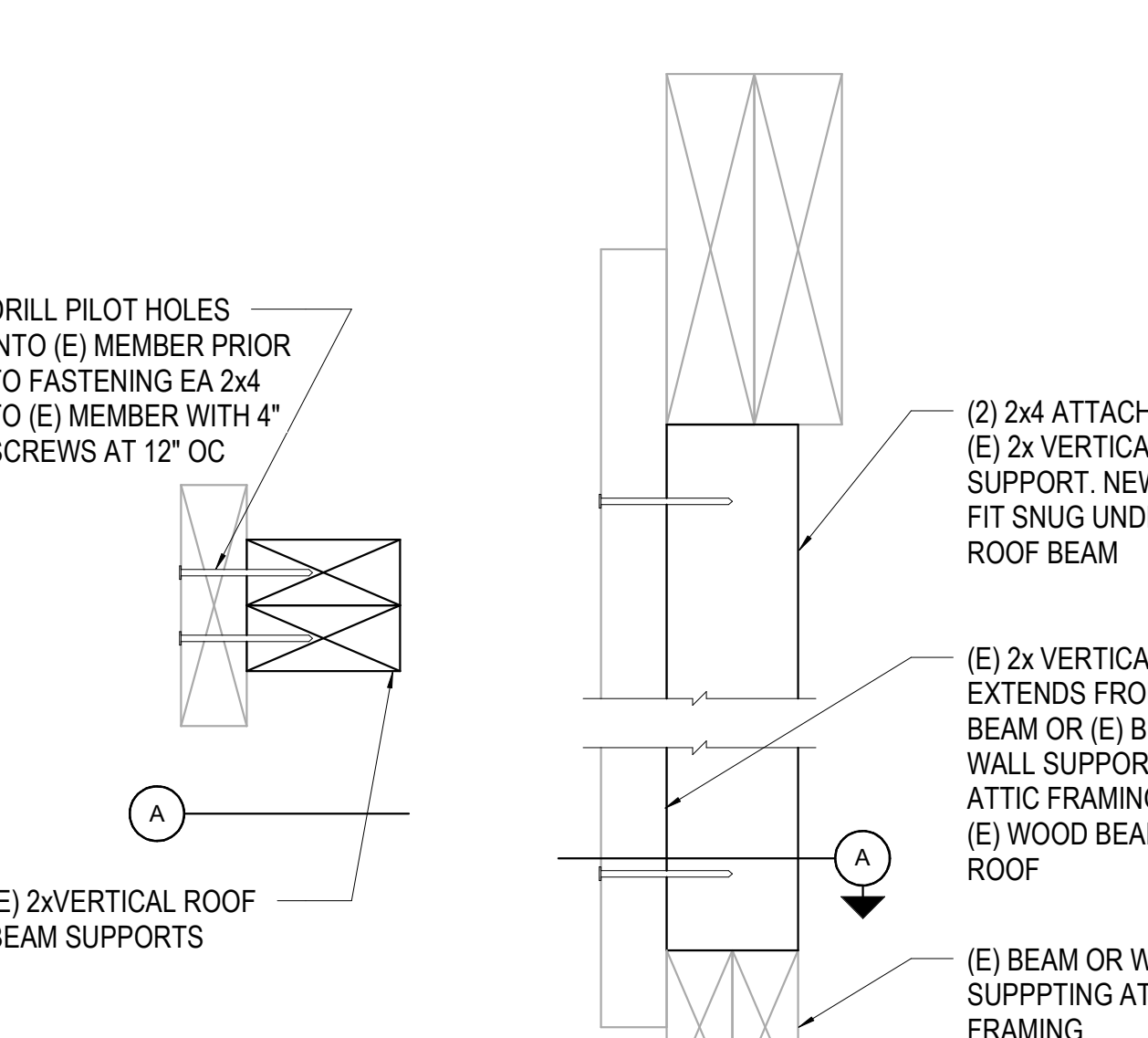
TYPICAL WOOD MEMBER FASTENING SCHEDULE		
CONNECTION	FASTENING	LOCATION
JOIST TO SILL OR GIRDER	(3) 8d COMMON (2 1/2\"/>	
BRIDGING TO JOIST	(3) 8d COMMON (2 1/2\"/>	
1\"/>		
WIDER THAN 1\"/>		
SOLE PLATE TO JOIST OR BLOCKING	16d (3 1/2\"/>	
TOP PLATE TO STUD	(2) 16d COMMON (3 1/2\"/>	
STUD TO SOLE PLATE	(4) 3\"/>	
DOUBLE STUDS	16d (3 1/2\"/>	
BLOCKING BETWEEN JOISTS TO TOP PLATE	(3) 8d COMMON (2 1/2\"/>	
RIM JOIST TO TOP PLATE	8d (2 1/2\"/>	
CEILING JOISTS (TO PLATE)	(3) 8d COMMON (2 1/2\"/>	
CEILING JOISTS (LAPS OVER PARTITION)	(3) 16d COMMON (3 1/2\"/>	
CEILING JOISTS (TO PARALLEL RAFTERS)	(3) 16d COMMON (3 1/2\"/>	
SHEATHING	10d COMMON (3\"/>	

NOTES:
 1. TYPICAL WOOD MEMBER FASTENING REQUIREMENTS ARE TAKEN FROM IBC 2012, TABLE 2304.9.1.
 2. THE ABOVE FASTENING REQUIREMENTS ARE A MINIMUM, AND SHOULD BE APPLIED ONLY TO TYPICAL SITUATIONS.
 3. THE ABOVE IS ONLY A SUMMARY OF THE TABLE 2304.9.1, PLEASE REFERENCE IBC FOR COMPLETE FASTENING SCHEDULE.

2 NO SCALE TYPICAL WOOD MEMBER FASTENING SCHEDULE



3 NO SCALE MECHANICAL PENETRATION SUPPORT



20 NO SCALE WOOD BEAM CONNECTION DETAILS

12 NO SCALE TYP WOOD JOIST BEARING AT EXT WALL

8 NO SCALE DOUBLE TJI JOIST AND SISTERED JOIST

4 NO SCALE (E) VERTICAL STRUT STIFFENER

Professional Engineer (Structural)
 ANANDA N. WILLET, P.E.
 License No. 12981
 Date 11/20/17
 WYOMING

OLD STONEY REMODEL
 PHASE ONE
 108 NORTH 4TH STREET
 SUNDANCE, WYOMING 82729

Staline No. 7
 ARCHITECTS
 4000 JARAME STREET, CHEYENNE, WYOMING 82001
 307.637.8422

PROJECT
 16-025

DATE
 11/20/17

DRAWN
 NAO

DISK

SHEET
 WOOD & ROOF DETAILS

SHEET
 2.36