

OLD STONEY REMODEL  
 PHASE ONE  
 108 NORTH 4TH STREET  
 SUNDANCE, WYOMING 82729



THESE DRAWINGS AND THE DESIGN HERE ILLUSTRATED ARE THE SOLE PROPERTY OF STALINE NO. 7 ARCHITECTS AND MAY NOT BE REPRODUCED IN ANY MANNER WITHOUT THE WRITTEN PERMISSION OF STALINE NO. 7 ARCHITECTS. COPYRIGHT

PROJECT NUMBER  
 16-022

DATE  
 11-20-2017

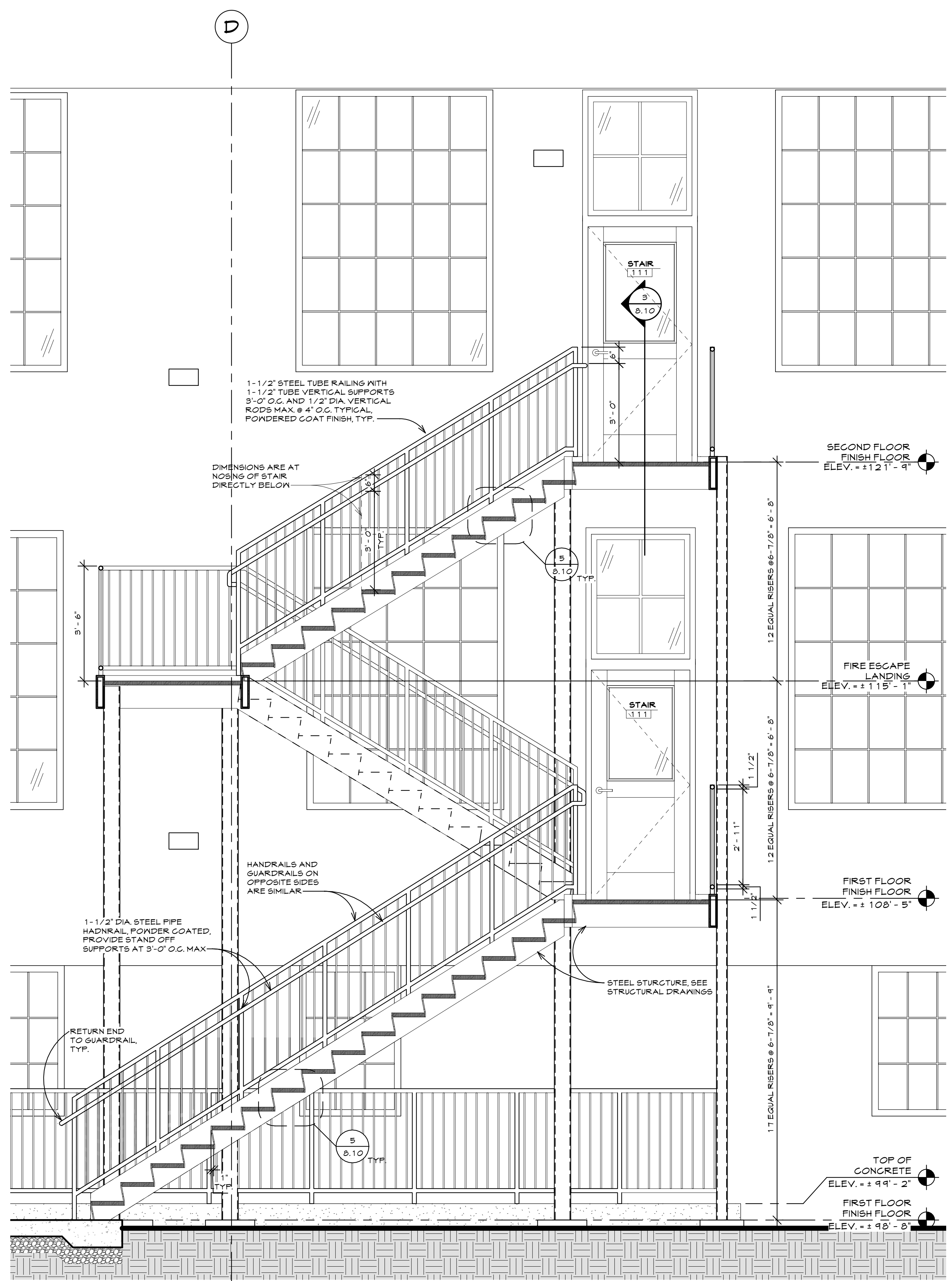
DRAWN BY  
 KFOX  
 A WILLIAMSON

DISK ID.  
 16-022 Old  
 Stoney/16-022\_Old  
 Stoney.rvt

SHEET TITLE  
 EXTERIOR STAIRS -  
 SECTIONS &  
 DETAILS

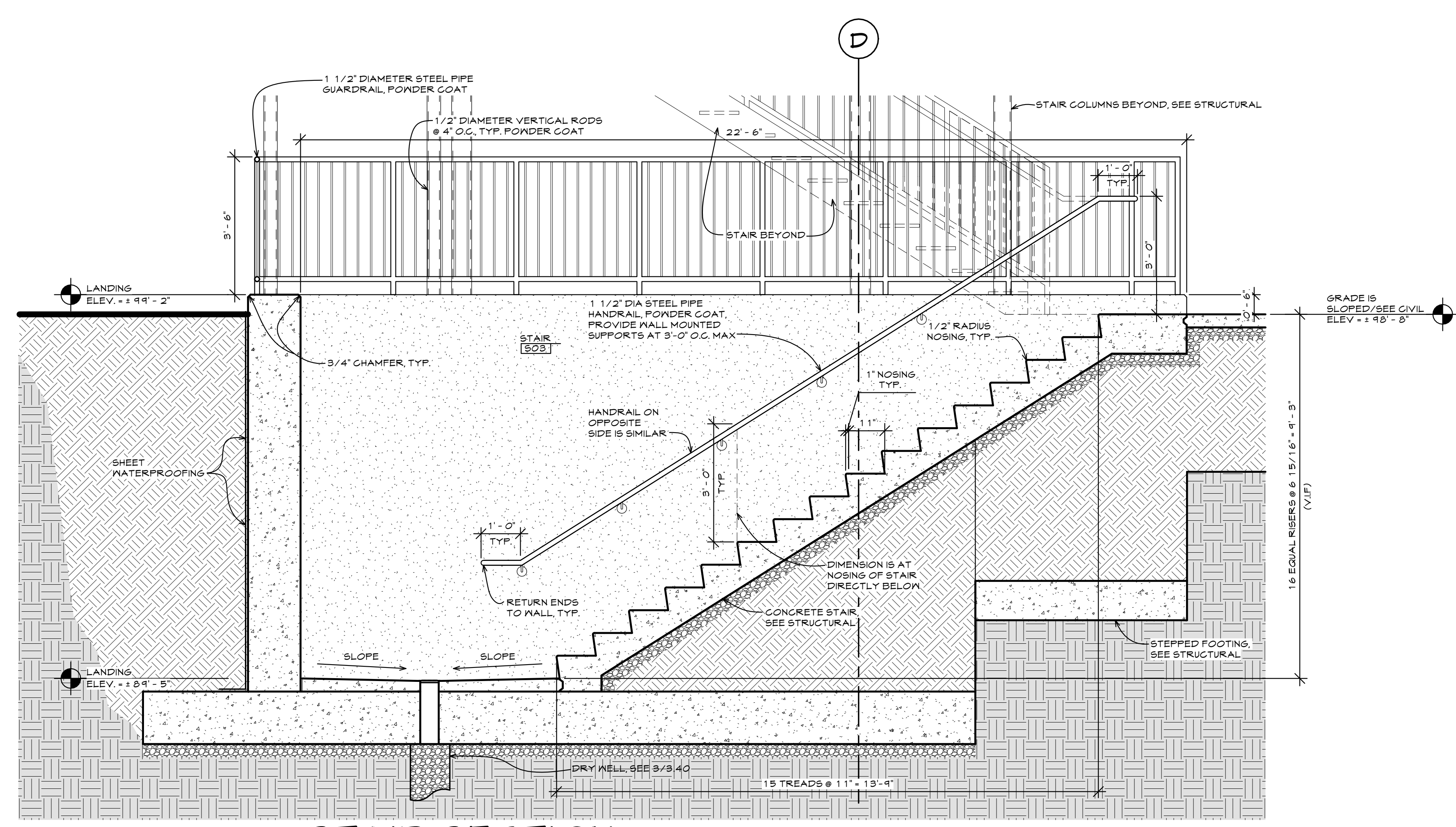
SHEET NUMBER

8.10

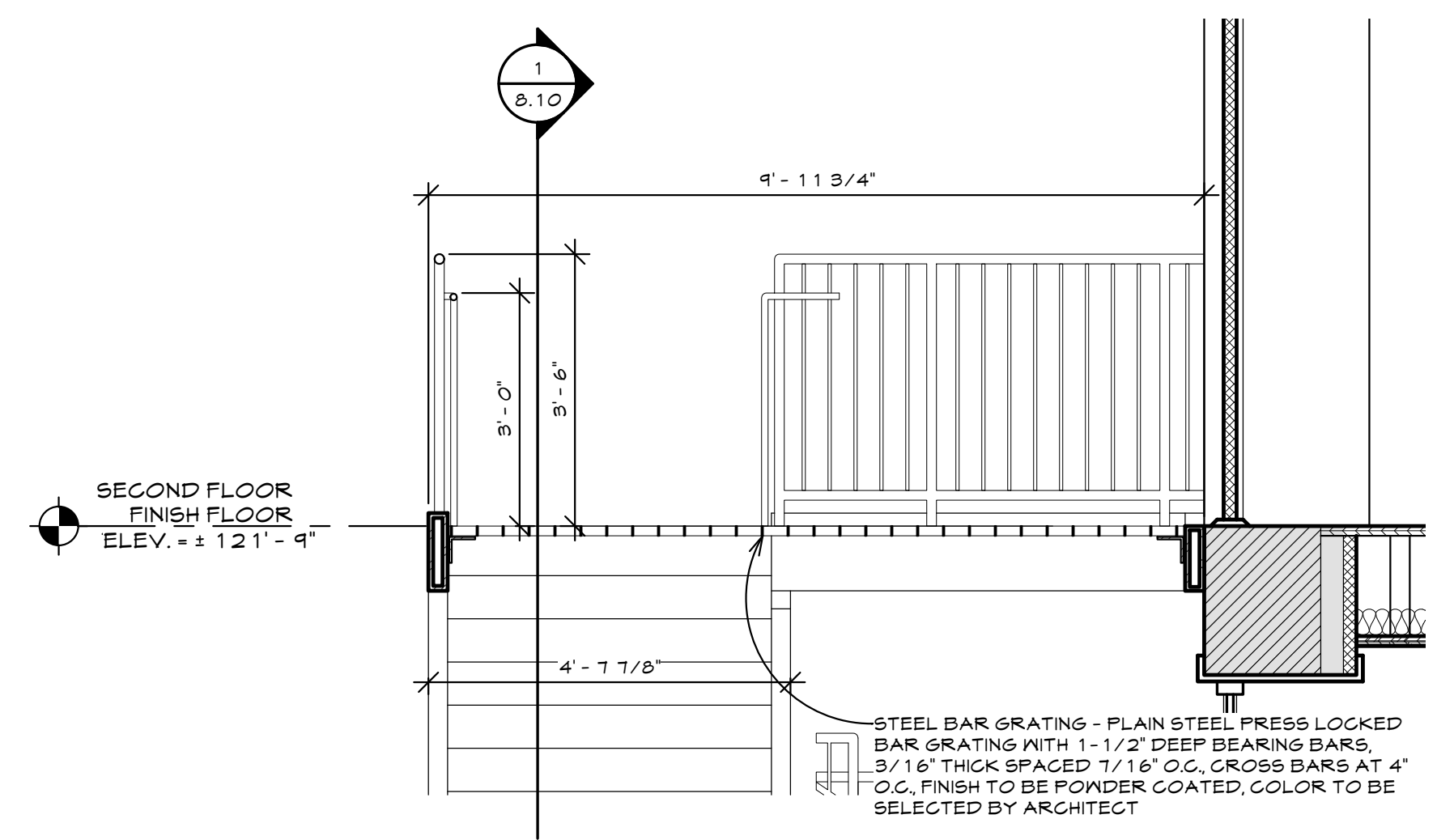


1 STAIR SECTION  
 SCALE: 1/2" = 1'-0"

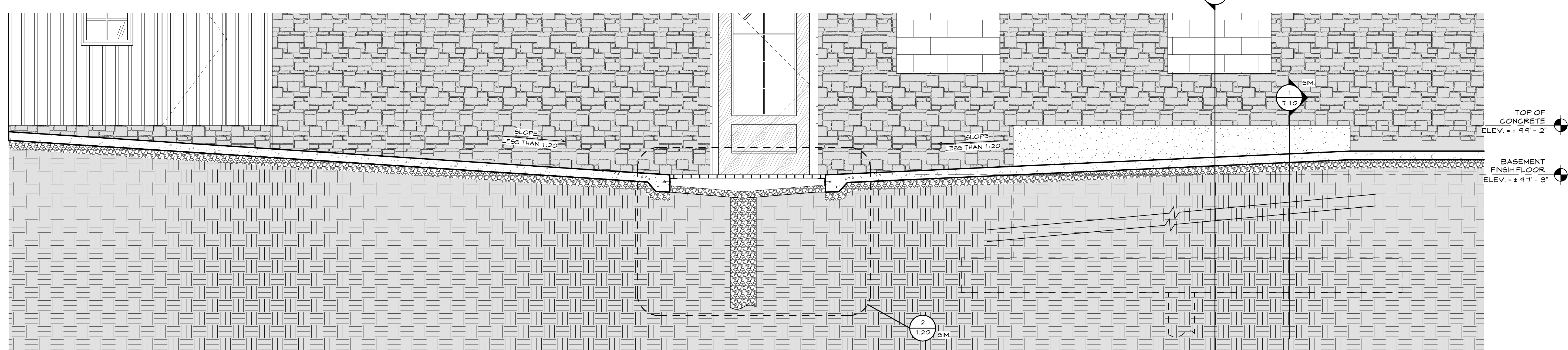
NOTE: ENTIRE STAIR TO BE POWDER COATED IN SECTIONS. COORDINATE LENGTH OF SECTIONS AND BOLTED CONNECTIONS WITH POWDER COATING REQUIREMENTS. SEE STRUCTURAL DRAWINGS FOR BOLTED CONNECTIONS



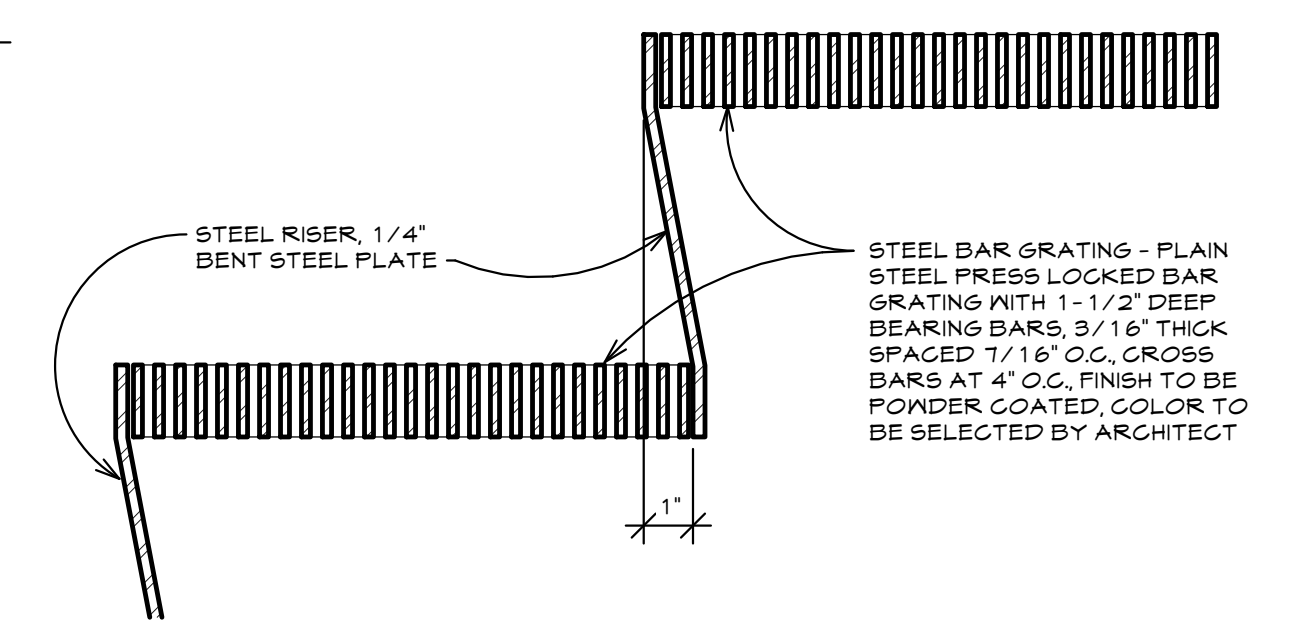
2 STAIR SECTION  
 SCALE: 1/2" = 1'-0"



3 LANDING SECTION  
 SCALE: 1/2" = 1'-0"



4 SERVICE ENTRY SECTION  
 SCALE: 1/2" = 1'-0"



5 STAIR DETAIL  
 SCALE: 3" = 1'-0"